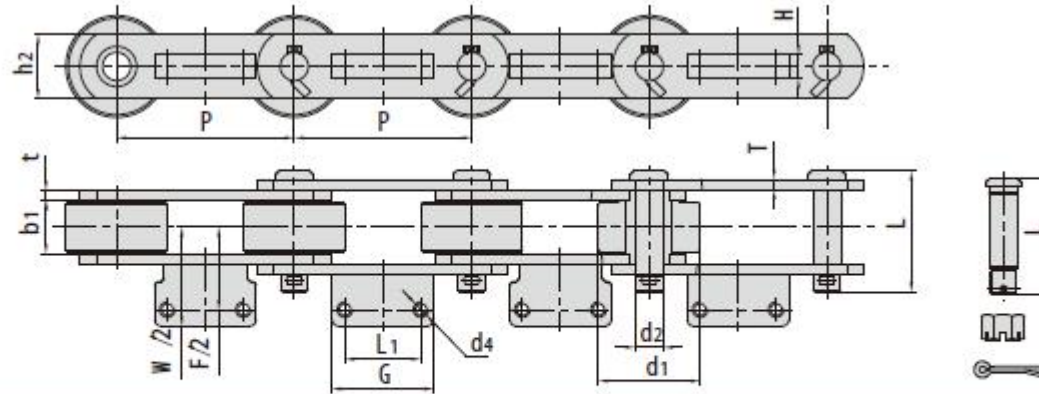


Chain No.	节距	滚子直径	内节内宽	销轴直径	销轴长度	链板高度	链板厚度	抗拉强度	平均抗拉强度	每米长重
	Pitch	Roller diameter	Width between inner plates	Pin diameter	Pin length	Plate depth	Plate thickness	Tensile strength	Average tensile strength	Weight per meter
	p	d1 max	b1 min	d2 max	Lc max	h2 max	t/T max	Q min	Qo	q
	mm	mm	mm	mm	mm	mm	mm	kN/bf	kN	kg/m
P 129A 1F1-P	129.0	90.0	29.0	24.9	86.0	60.0	8.0	350.0/78683	385.0	22.6

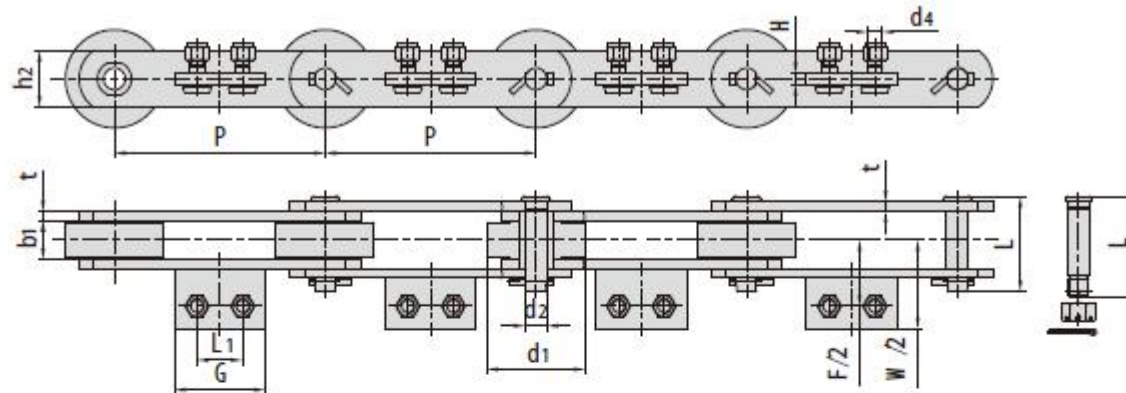
Chain No.	L1	G	F	W	h4	d4
	mm	mm	mm	mm	mm	mm
P 129A 1F1-P	66.0	90.0	110.0	146.0	30.0	M 16



*表示销轴为每节带螺母型
*Each pin with nut

Chain No.	节距 Pitch	滚子直径 Roller diameter	内节内宽 Width between inner plates	销轴直径 Pin diameter	销轴长度 Pin length	链板高度 Plate depth	链板厚度 Plate thickness	抗拉强度 Tensile strength	每米长重 Weight per meter
	p	d1 max	b1 min	d2 max	L max	h2 max	t/T max	Q min	q
	mm	mm	mm	mm	mm	mm	mm	kN/bf	kg/m
P 125F87A2*	125.0	80.0	42.0	22.23	97.0	50.8	7.9	222.4/49996	25.20
P 140F50A2	140.0	80.0	42.0	22.23	95.0	50.8	7.9	222.4/49996	23.69
P 173F1A2*	173.0	80.0	32.0	21.85	89.0	50.0	8.0/7.0	280.0/62944	19.20
P 173F2A2*	173.0	80.0	43.0	21.85	102.0	50.0	8.0	280.0/62944	21.68

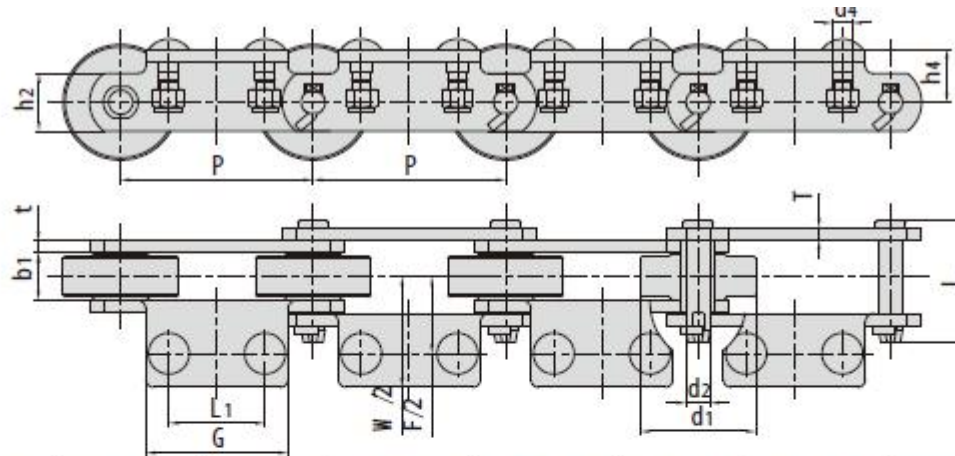
Chain No.	P	G	L1	F	W	H	d4
	mm	mm	mm	mm	mm	mm	mm
P 125F87A2*	125.0	71.0	45.0	130.0	156.0	19.1	M 12
P 140F50A2	140.0	80.0	60.0	130.0	156.0	19.1	M 12
P 173F1A2*	173.0	90.0	60.0	130.0	158.0	20.0	M 12
P 173F2A2*	173.0	90.0	60.0	130.0	158.0	20.0	M 12



Chain No.	节距 Pitch P	滚子直径 Roller diameter d1	内节内宽 Width between inner plates b1	销轴直径 Pin diameter d2	销轴长度 Pin length L	链板高度 Plate depth h2	链板厚度 Plate thickness t/T	抗拉强度 Tensile strength Qmin	每米长重 Weight per meter q
	mm	mm	mm	mm	mm	mm	mm	kN/bf	kg/m
P140F51A2*	140.0	80.0	42.0	22.0	102.0	50.0	8.0	280.0/62944	24.8
P185F3A2	185.0	86.0	34.0	19.0	84.0	50.0	8.0	280.0/62944	17.8

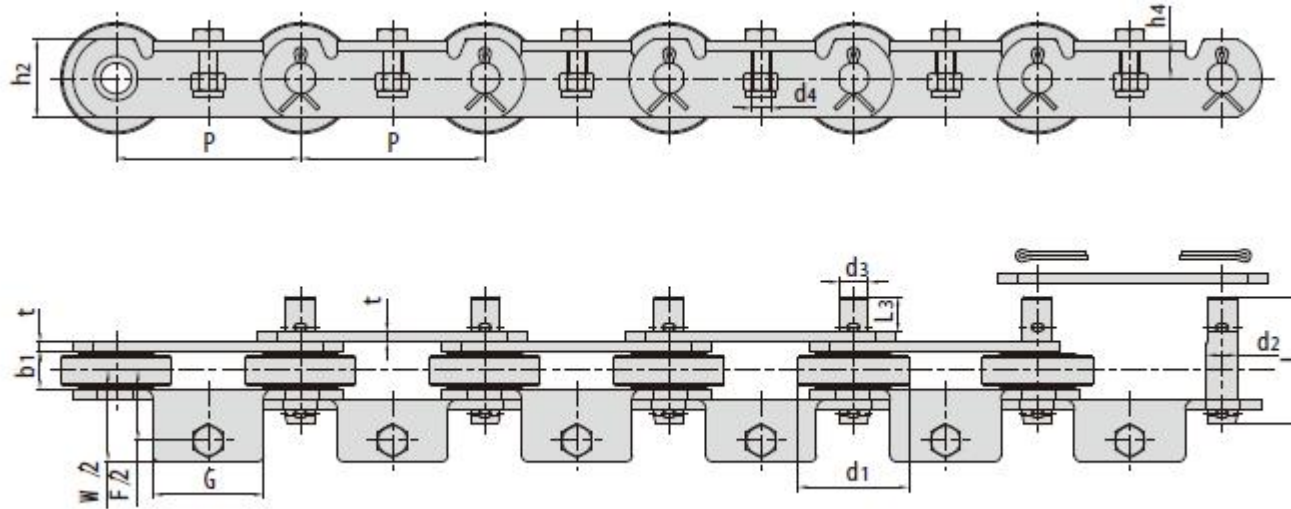
Chain No.	P	G	L1	F	W	H	d4
	mm	mm	mm	mm	mm	mm	mm
P140F51A2*	140.0	80.0	60.0	130.0	156.0	20.0	M 12
P185F3A2	185.0	80.0	40.0	116.0	156.0	10.0	M 12×1.50

*表示销轴为每节带螺母型
*Each pin with nut



Chain No.	节距 Pitch p mm	滚子直径 Roller diameter d1 mm	内节内宽 Width between inner plates b1 mm	销轴直径 Pin diameter d2 mm	销轴长度 Pin length L mm	链板高度 Plate depth h2 mm	链板厚度 Plate thickness t/T mm	抗拉强度 Tensile strength Q _m kN/bf	每米长重 Weight per meter q kg/m
P 127F12A2	127.0	76.2	31.0	15.90	81.0	38.1	8.0	180.0/40464	16.50
P 152F230A2	152.4	65.0	35.0	15.90	81.6	40.0	7.9	165.0/37092	13.30

Chain No.	P mm	G mm	L1 mm	F mm	W mm	h4 mm	d4 mm
P 127F12A2	127.0	93.7	63.5	101.6	146	34.9	1/2-13UNC
P 152F230A2	152.4	90.0	50.0	100.0	130	30.0	M 10



Chain No.	节距 Pitch P	滚子直径 Roller diameter d	内节内宽 Width between inner plates b	销轴直径 Pin diameter d	销轴长度 Pin length L	链板高度 Plate depth h	链板厚度 Plate thickness t/T	抗拉强度 Tensile strength Q	每米长重 Weight per meter q
	p	d _{1 max}	b _{1 min}	d _{2 max}	L _{max}	h _{2 max}	t/T _{max}	Q _{min}	q
	mm	mm	mm	mm	mm	mm	mm	kN/bf	kg/m
P150F145A1	150.0	90.0	30.0	25.0	103.0	63.5	8.0	300.0/67440	22.0
P192F2A1	192.0	100.0	30.0	25.4	110.0	63.5	9.5	400.0/89920	17.8



HANGZHOU OCEAN INDUSTRY CO., LTD.

Chain No.	P	G	F	W	h ₄	d ₄	d ₃	L ₃
	mm	mm	mm	mm	mm	mm	mm	mm
P 150F145A1	150.0	90.0	114.0	148.0	30.0	M 16	24.8	28.6
P 192F2A1	192.0	130.0	114.0	152.0	29.0	M 16	31.8	25.4