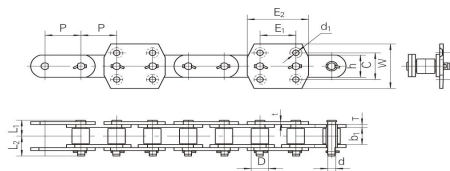


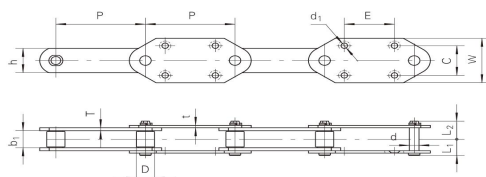
水泥工业链 Cement Industrial Chains

斗式提升机链 Bucket Elevator Chains



链号	E ₁	E ₂	C	W	d ₁
Chain No.	mm	mm	mm	mm	mm
NSE150A	75	130	80	122	14
NSE100C	75	130	80	126	14
NSE200E	100	171	105	150	18
NSE300	100	171	90	150	18
NSE300A	100	180	105	150	18
NSE300B	100	180	105	150	18
NSE300E	100	180	105	150	18
NSE300G	100	180	105	150	18

链号	节距	内节内宽	滚子外径	销轴				链板		最小抗拉强度	每米重量
				Pin		Sidebar		Ultimate Tensile Strength	Weight per Meter		
				d	L ₁	L ₂	h				
Chain No.	Pitch	Width between inner sidebars	Roller Diameter	d	L ₁	L ₂	h	t/T	Fu(min)	q	
	mm	b _i (min)	D(max)	mm	mm	mm	mm	mm	kN	kg/m	
NSE150A	75	36.2	36	16	47.35	47.35	50.8	9.5	270	18.75	
NSE100C	76.2	36.5	36	17	40.1	46.9	50	8	270	16	
NSE200E	100	51.6	44.5	19.8	53	58	60	10	280	24.1	
NSE300	100	57	48.5	22.23	54.4	62.4	75	10	540	30.1	
NSE300A	100	57	48.5	22.23	54.4	62.4	75	10	540	30.34	
NSE300B	100	57	47.5	22.23	54.4	62.4	75	10	540	30	
NSE300E	100	57	48.5	22.23	54.4	62.4	75	10	540	30.49	
NSE300G	100	57	48.5	22.23	54.4	62.4	75	10	540	30.14	

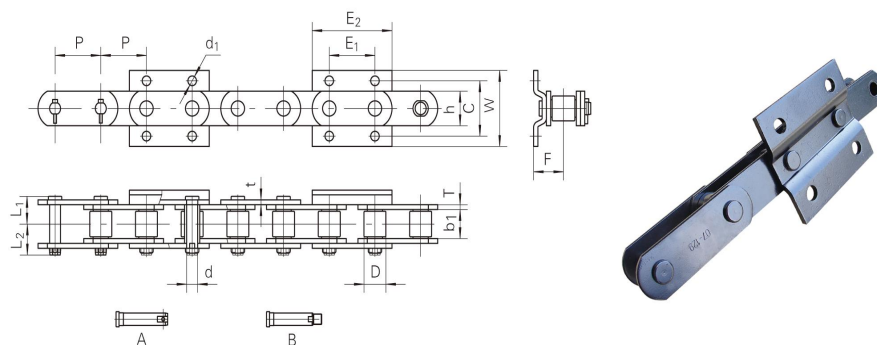


链号	C	W	E	d ₁
Chain No.	mm	mm	mm	mm
NE150	80	125	100	18
NE150A	80	125	100	14
NE300	100	150	140	18
0712	100	150	140	18

链号	节距	内节内宽	滚子外径	销轴				链板		最小抗拉强度	每米重量
				Pin		Sidebar		Ultimate Tensile Strength	Weight Per Meter		
				d	L ₁	L ₂	h				
Chain No.	Pitch	Width between inner sidebars	Roller Diameter	d	L ₁	L ₂	h	t/T	Fu(min)	q	
	mm	b _i (min)	D(max)	mm	mm	mm	mm	mm	kN	kg/m	
NE150	200	57	48.5	22.23	62.25	62.25	75	10	540	21.59	
NE150A	200	57	48.5	22.23	60.2	66.8	65	12	315	24.4	
NE300	250	76	90	35	89	89	100	16	1000	53.21	
0712	250	57.4	50.8	27	56	60	82	8/10	700	20.96	

水泥工业链 Cement Industrial Chains

斗式提升机链 Bucket Elevator Chains

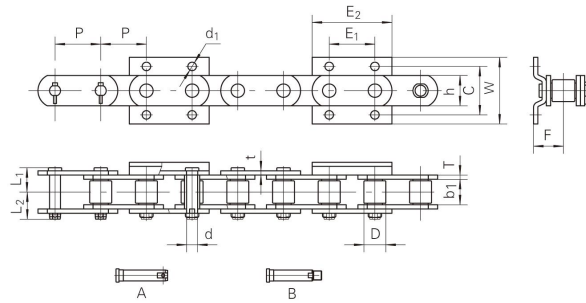


链号	节距	内节内宽	滚子外径	销轴			链板		最小抗拉强度	每米重量
Chain No.	Pitch	Width Between inner sidebars	Roller Diameter	Pin			Sidebar		Ultimate Tensile Strength	Weight per Meter
	P	b ₁ (min)	D(max)	d	L ₁	L ₂	h	t/T	Fu(min)	q
	mm	mm	mm	mm	mm	mm	mm	mm	kN	kg/m
M160*75TA	75	41.8	36	18	40.8	45.7	56	7	160	17.37
NSE100	75	43.6	39	20	44.1	51.2	56	8	375	20.27
NSE100A	75	35	32	16	35.6	45.4	50.8	6.4	270	13.1
NSE100B	76.2	37	35	16	40.5	47	45	8	270	15.1
NSE150	75	42.5	38	18	43.3	56.3	56	8	375	19.98
NSE150B	75	42.5	36	18	43.3	56.3	56	8	375	19.48
NSE300C	100	60	54	30	61.5	83.5	78	12	790	41.3
NSE300D	100	60	56	30	61.5	83.5	86	12	840	44.39
NSE300F	100	60	56	30	59.5	81.5	78	10/12	790	39.3

链号	E ₁	E ₂	C	W	d ₁	F	连接销轴
Chain No.	mm	mm	mm	mm	mm	mm	Conn Pin Type
M160*75TA	75	143	80	110	14	50	A
NSE100	75	132	90	124	14	50	A
NSE100A	75	125	86	115	13.6	40.7	B
NSE100B	75	125	80	115	14	46.5	A
NSE150	75	132	90	124	14	49.6	B
NSE150B	85	132	90	124	14	49.6	B
NSE300C	100	180	110	155	18	65.5	B
NSE300D	100	180	120	165	18	65.5	B
NSE300F	100	180	115	155	18	68.1	B

水泥工业链 Cement Industrial Chains

斗式提升机链 Bucket Elevator Chains

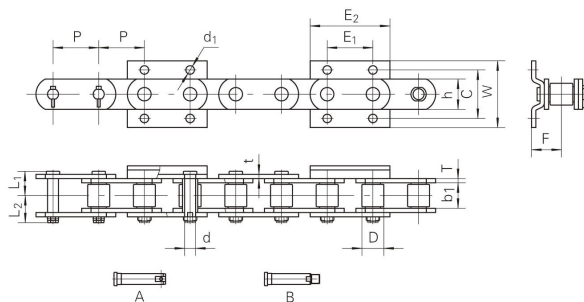


链号	节距	内节内宽	滚子外径	销轴			链板		最小抗拉强度	每米重量		
Chain No.	Pitch	Width between inner sidebars	Roller Diameter	Pin			Sidebar		Ultimate Tensile Strength	Weight Per Meter		
				d	L ₁	L ₂	h	t/T			Fu(min)	q
				mm	mm	mm	mm	mm			kN	kg/m
NSE200	100	50	46	22	51.9	59.6	60	10	450	24.3		
NSE200A	100	50	46	22	51.9	60.9	60	10	450	24.3		
NSE200B	100	43	41	21	44.4	52.1	60	8	224	19.4		
NSE200D	100	50	46	22	52.05	59.45	60	10	450	24.3		
NSE400	100	53.7	50	24	53.9	66.6	68	10	630	28.7		
NSE400A	100	53.7	50	26	57.9	70.1	68	12	630	34.13		
NSE400B	100	60	55	28	61.4	83.6	78	12	790	41.68		
NSE400C	100	53.7	48	24	53.9	66.6	68	10	630	28.02		
NSE400D	100	56.7	50	26	59.8	67.2	68	12	630	34.9		
NSE400E	100	53.7	48	24	53.9	66.6	68	10	630	27.8		
NSE400F	100	60	56	28	61.4	83.6	78	12	790	42.1		
NSE400G	100	53.7	50	26	57.9	70.1	68	12	630	34.13		
NSE400H	100	56.7	50	26	59.8	67.2	68	12	630	34.9		

链号	E ₁	E ₂	C	W	d ₁	F	连接销轴
Chain No.	mm	mm	mm	mm	mm	mm	Conn. Pin Type
NSE200	100	148	100	156	18	59	A
NSE200A	100	148	100	156	18	59	B
NSE200B	100	168	100	148	18	47	A
NSE200D	100	157	100	140	18	59	A
NSE400	100	157	100	137	18	67	B
NSE400A	100	180	115	155	18	67	B
NSE400B	100	180	115	153	18	71.4	B
NSE400C	100	157	100	137	18	67	B
NSE400D	100	180	105	155	18	68.5	A
NSE400E	100	157	100	137	18	60	B
NSE400F	100	180	115	153	18	70	B
NSE400G	100	180	105	155	18	67	B
NSE400H	100	180	115	155	18	67	A

水泥工业链 Cement Industrial Chains

斗式提升机链 Bucket Elevator Chains

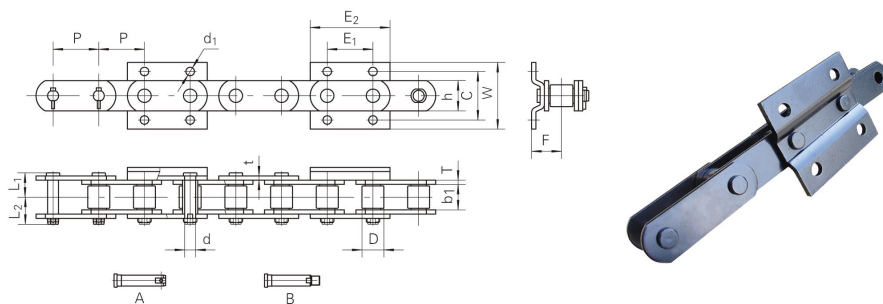


链号	节距	内节内宽	滚子外径	销轴			链板		最小抗拉强度	每米重量
Chain No.	Pitch	Width Between inner sidebars	Roller Diameter	Pin			Sidebar		Ultimate Tensile Strength	Weight per Meter
	P	b,(min)	D(max)	d	L ₁	L ₂	h	t/T	Fu(min)	q
	mm	mm	mm	mm	mm	mm	mm	mm	kN	kg/m
M224*100TD	100	47	42	21	46.3	53.7	60	8	224	20
M224A*100TD	100	43	42	21	44.4	55.4	60	8	224	19.1
SSN100-H4	100	57	50.8	24	55.4	61.6	63.5	9.5	539	27.8
SSN100A-H4	100	57	50.8	24	55.4	61.6	63.5	9.5	528	27.5
SSN100B-H4	100	51	40.1	19.05	51.5	57.5	50.8	9.5	387	18.78
SSN125-H4	125	57	50.8	24	55.4	61.6	63.5	9.5	539	24.73
SSN125A-H4	125	57	50.8	24	55.4	61.6	63.5	9.5	539	24.04
SSN125B-H4	125	57	50.8	24	55.4	61.6	63.5	9.5	539	23.97
SSN125C-H4	125	51	40.1	19.05	51.5	57.5	50.8	9.5	387	17.8
GX50125	125	70	62	33	69.2	79.3	80/90	12.7	980	46.1
GX60150	150	83	72	37	75.8	85.9	100/110	12.7	1274	57.74

链号	E ₁	E ₂	C	W	d ₁	F	连接销轴
Chain No.	mm	mm	mm	mm	mm	mm	Conn. Pin Type
M224*100TD	100	168	100	148	18	55	A
M224A*100TD	100	168	100	148	14	47	B
SSN100-H4	100	168	100	160	18	62	A
SSN100A-H4	100	168	100	160	16	64.5	A
SSN100B-H4	100	154	100	146	16	58	A
SSN125-H4	125	193	110	172	22	62	A
SSN125A-H4	125	193	110	144	18	63.5	A
SSN125B-H4	125	193	110	144	18	63.5	A
SSN125C-H4	125	193	110	146	18	58	A
GX50125	125	210	110	172	22	78.5	A
GX60150	150	260	140	184	22	85	A

水泥工业链 Cement Industrial Chains

斗式提升机链 Bucket Elevator Chains

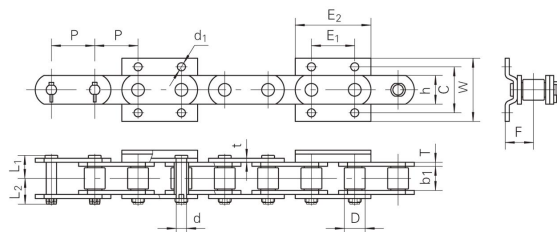


链号	节距	内节内宽	滚子外径	销轴			链板		最小抗拉强度	每米重量
Chain No.	Pitch	Width between inner sidebars	Roller Diameter	Pin			Sidebar		Ultimate Tensile Strength	Weight Per Meter
				d	L ₁	L ₂	h	t/T	Fu(min)	q
	mm	mm	mm	mm	mm	mm	mm	mm	kN	kg/m
NSE450	125	64	56	28	63.4	85.6	78	12	790	37.91
NSE450A	125	64	56	28	63.4	85.6	78	12	790	37.91
NSE450B	125	63.8	60	28	69	88	80	14	790	45
NSE450C	125	63.8	60	30	69	88	80	14	790	44.5
NSE500	125	70	65	33	72.3	81.7	90	14	980	51.56
NSE500A	125	80	70	38	77	96	110	14	1100	67.11
NSE500B	125	80	70	38	77	96	110	14	1100	67.5
NSE500C	125	70	65	33	72.3	81.7	90	14	980	51.2
NSE500D	125	70	63.5	33	72.3	81.7	90	14	980	50.21
NSE500E	125	70	64	33	72.15	96.85	90	14	980	50.43

链号	E ₁	E ₂	C	W	d ₁	F	连接销轴
Chain No.	mm	mm	mm	mm	mm	mm	Conn. Pin Type
NSE450	125	210	110	160	18	72	B
NSE450A	125	210	115	160	18	72	B
NSE450B	125	210	120	172	18	75	B
NSE450C	125	210	120	160	18	75	B
NSE500	125	210	125	172	18	78	A
NSE500A	125	226	136	176	18	83	B
NSE500B	125	226	136	176	18	83	B
NSE500C	125	210	125	172	18	78	B
NSE500D	125	210	125	172	18	78	B
NSE500E	125	210	125	172	18	78	B

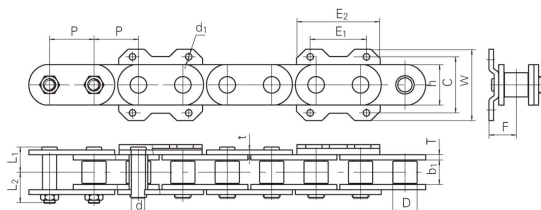
水泥工业链 Cement Industrial Chains

斗式提升机链 Bucket Elevator Chains



链号	节距	内节内宽	滚子外径	销轴			链板		最小抗拉强度	每米重量
Chain No.	Pitch	Width between inner sidebars	Roller Diameter	Pin			Sidebar		Ultimate Tensile Strength	Weight Per Meter
	P	b ₁ (min)	D(max)	d	L ₁	L ₂	h	t/T	Fu(min)	q
	mm	mm	mm	mm	mm	mm	mm	mm	kN	kg/m
NSE1000	150	94.5	82	48	93.25	104.75	137	16/18	2000	99.9
NSE1000C	150	94.5	82	48	93.25	104.75	137	16/18	2000	99.3
NSE1000F	150	94.5	80.2	48	93.25	104.75	137	16/18	2000	97.3

链号	E ₁	E ₂	C	W	d ₁	F
Chain No.	mm	mm	mm	mm	mm	mm
NSE1000	190	280	190	242	22	100
NSE1000C	190	280	190	242	22	100
NSE1000F	190	280	190	242	22	100

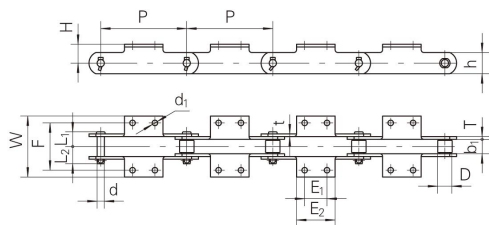


链号	节距	内节内宽	滚子外径	销轴			链板		最小抗拉强度	每米重量
Chain No.	Pitch	Width between inner sidebars	Roller Diameter	Pin			Sidebar		Ultimate Tensile Strength	Weight Per Meter
	P	b ₁ (min)	D(max)	d	L ₁	L ₂	h	t/T	Fu(min)	q
	mm	mm	mm	mm	mm	mm	mm	mm	kN	kg/m
NSE1000A	150	88	82	48	90	101.5	144	16/18	2000	97.6
NSE1000D	150	94.5	82	48	93.25	104.75	144	16/18	2000	99.34
NSE1000E	150	94.5	82	48	93.25	104.75	137	16/18	2000	97.9

链号	E ₁	E ₂	C	W	d ₁	F
Chain No.	mm	mm	mm	mm	mm	mm
NSE1000A	190	283	190	242	22	97
NSE1000D	190	283	190	242	22	100
NSE1000E	190	283	190	242	22	100

水泥工业链 Cement Industrial Chains

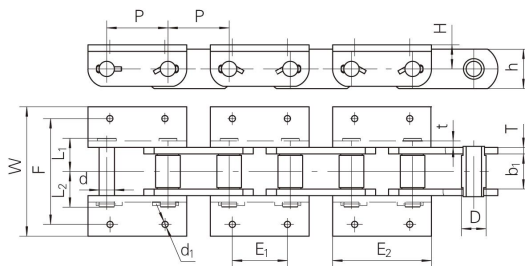
斗式提升机链 Bucket Elevator Chains



链号 Chain No.	节距 Pitch	内节内宽 Width between inner sidebars	滚子外径 Roller Diameter	销轴 Pin			链板 Sidebar		最小抗拉强度 Ultimate Tensile Strength	每米重量 Weight per Meter
				d	L ₁	L ₂	h	t/T		
M224T-S-250-BK2	250	43	42	21	44.4	50.8	60	8	224	15.35
M315T-S-315-BK2	315	48	50	25	51.1	58.9	70	10	315	22.5

链号 Chain No.	E ₁	E ₂	F	W	d ₁	H
M224T-S-250-BK2	65	112	140	180	16	55
M315T-S-315-BK2	100	150	160	216	18	65

中央链 Central Chain

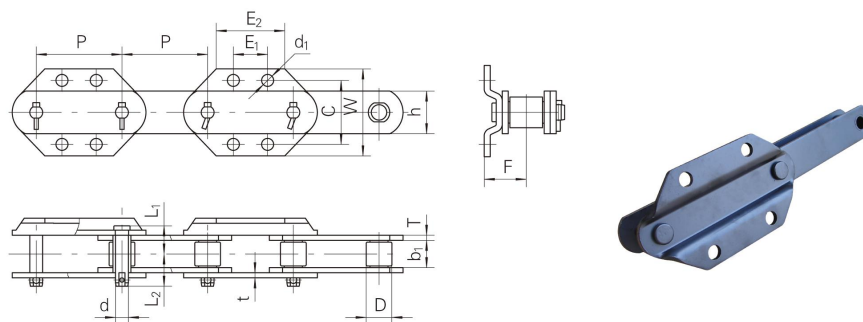


链号 Chain No.	节距 Pitch	内节内宽 Width between inner sidebars	套筒外径 Roller Diameter	销轴 Pin			链板 Sidebar		最小抗拉强度 Ultimate Tensile Strength	每米重量 Weight per Meter
				d	L ₁	L ₂	h	t/T		
HBM600	177.8	95.5	71.5	44.54	98	112	115	19.05	1500	97.6

链号 Chain No.	E ₁	E ₂	F	W	d ₁	H
HBM600	160	287	315	384	18	70.25

水泥工业链 Cement Industrial Chains

斗式提升机链 Bucket Elevator Chains



链号	节距	内节内宽	滚子外径	销轴			链板		最小抗拉强度	每米重量
Chain No.	Pitch	Width Between inner sidebars	Roller Diameter	Pin			Sidebar		Ultimate Tensile Strength	Weight per Meter
	P	b ₁ (min)	D(max)	d	L ₁	L ₂	h	t/T	Fu(min)	q
M112*100TA	100	32	30	15	34	37	40	6	112	5.79
M112*150TA	150	32	30	15	34	37	40	6	112	7.39
M112*150TB	150	30	29	15	32.8	36.3	40	6	200	7.57
M112*150TC	150	30	29	15	34.9	38.1	40	8	226	8.32
M112*150TD	150	35	32	15	36.1	45	46	6.4	226	9.51
SSN150A	150	42.5	38	18	43.3	56.3	56	8	375	14.43
SSN150B	150	42.5	41	18	43.3	56.3	56	8	375	14.85
SSN150-H4	150	54.5	50	25	54.6	64.4	72	9.8	460	24.43

链号	E ₁	E ₂	C	W	d ₁	F
Chain No.	mm	mm	mm	mm	mm	mm
M112*100TA	40	80	75	102	14	40
M112*150TA	75	100	75	102	14	40
M112*150TB	75	100	80	115	14	39
M112*150TC	75	100	80	115	14	38.5
M112*150TD	75	100	80	115	14	42
SSN150A	85	102	90	126	16	49.6
SSN150B	75	102	90	126	14	47.5
SSN150-H4	75	116	100	141	18	63.6