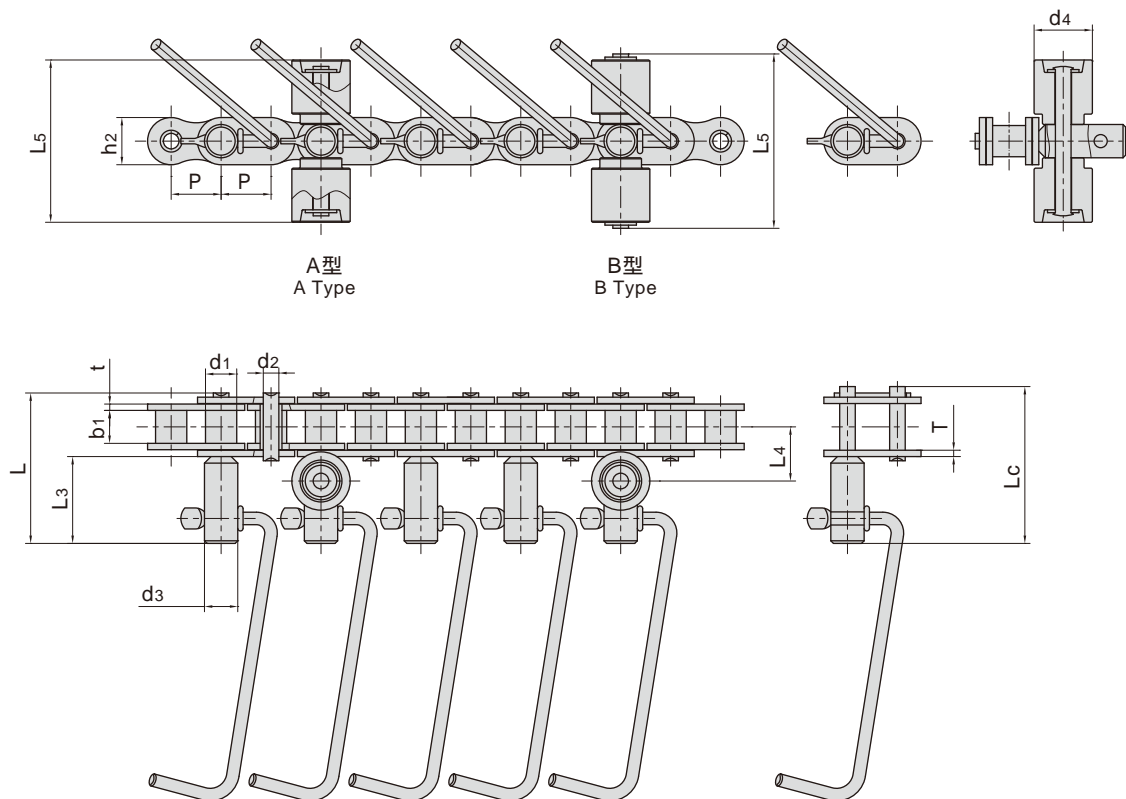


# 香肠生产线输送链

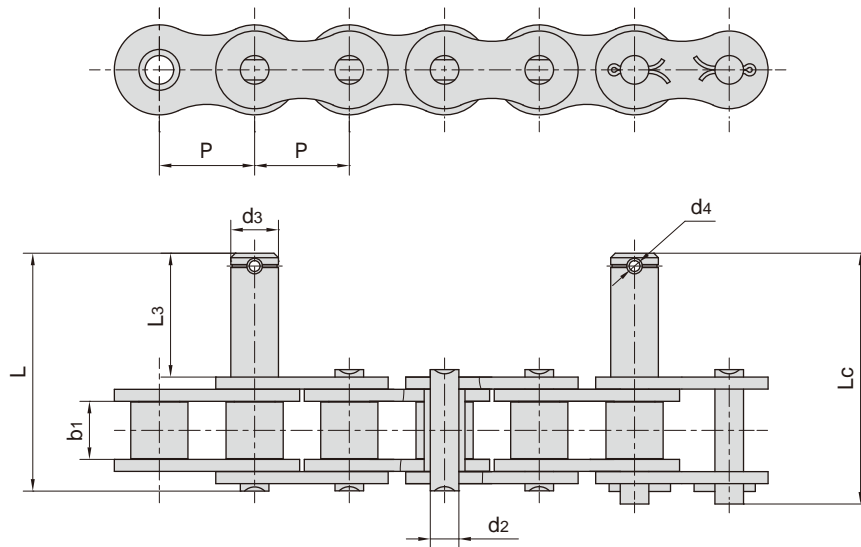
Conveyor chains for sausage production



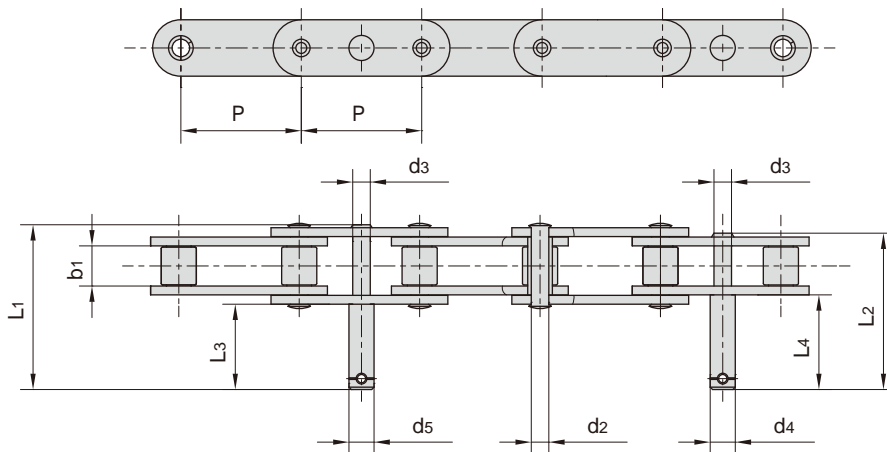
Chain No.	节距	滚子直径	内节内宽	销轴直径	销轴长度		链板尺寸		附件尺寸				抗拉强度	类型	
	Pitch	Roller diameter	Width between inner plates	Pin diameter	Pin length	Pin length	Plate dimension	Attachment dimension				Tensile strength	Type		
	P	d1 max	b1 min	d2 max	L max	Lc max	h2 max	t/T max	d3	d4	L3	L4	L5	Q min	
	mm	mm	mm	mm	mm	mm	mm	mm	mm	mm	mm	mm	mm	kN/lbf	
C60SBSS316-D1F73	19.05	11.91	12.57	5.94	57.5	59.9	18.0	2.42	12.7	22.23	33.2	20.65	63.5	18.8/4226	A
C60SBSS316-D1F74	19.05	11.91	12.57	5.94	57.5	59.9	18.0	2.42	12.7	22.23	33.2	20.65	68.6	18.8/4226	B

# 香肠生产线输送链

Conveyor chains for sausage production



Chain No.	P	b1	d2	d3	L3	L	Lc	d4
	mm	mm	mm	mm	mm	mm	mm	mm
20ASS316-D1F9	31.75	27.46	9.53	15.87	41.30	79.40	83.60	3.60



Chain No.	P	b1	d2	d3	d4	d5	L1	L2	L3	L4
	mm	mm	mm	mm	mm	mm	mm	mm	mm	mm
C2120HSSF14GK	76.20	25.22	11.10	11.10	15.88	15.88	106.30	100.40	54.00	60.00