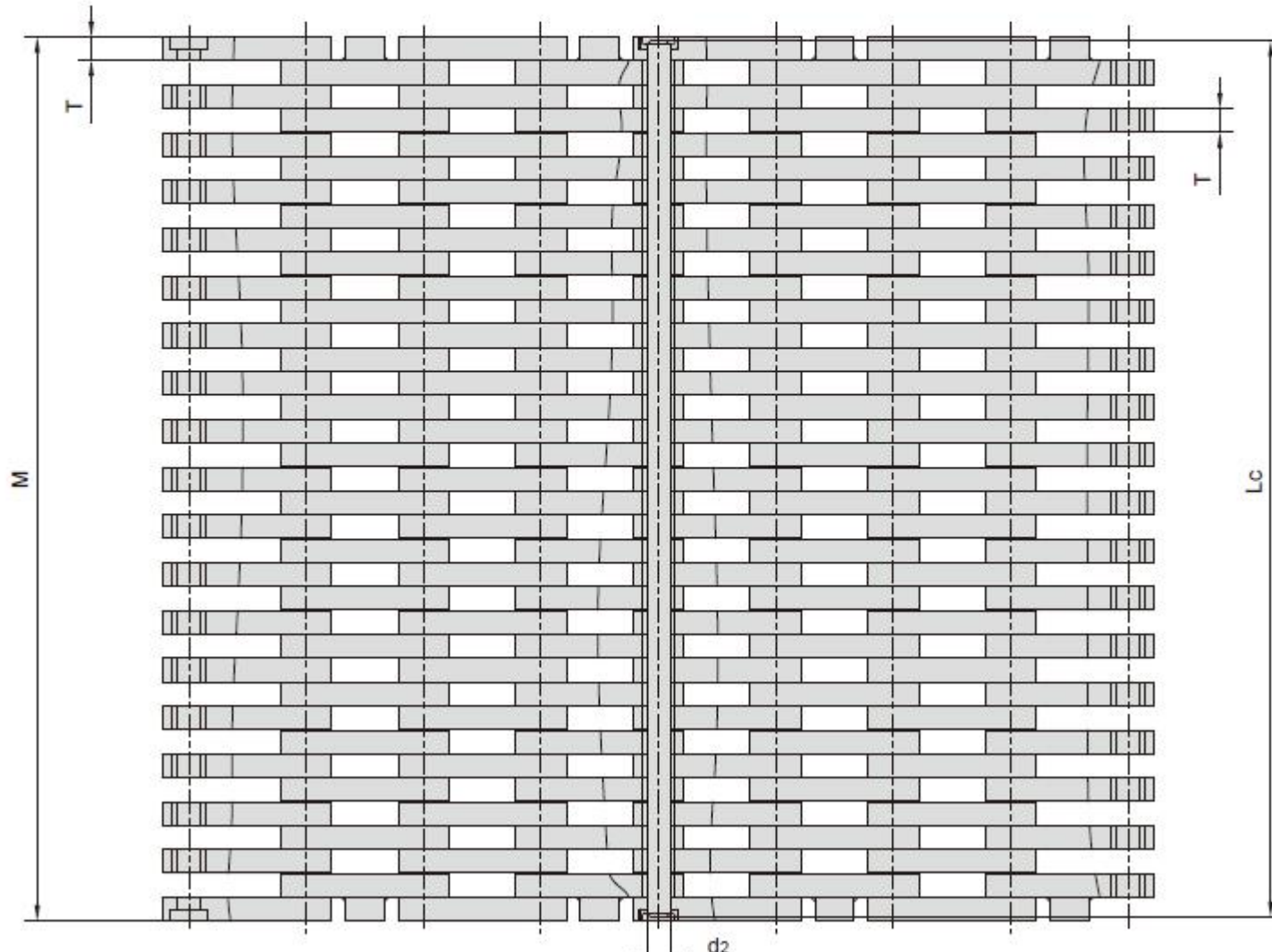
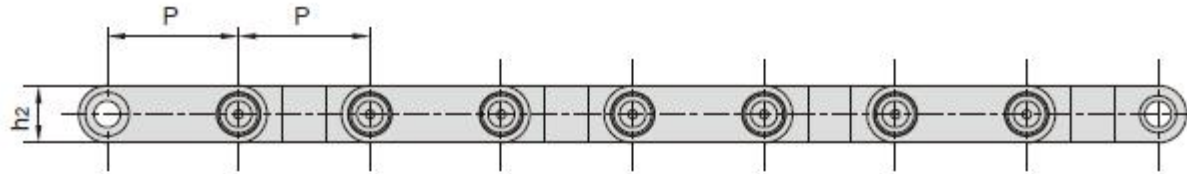


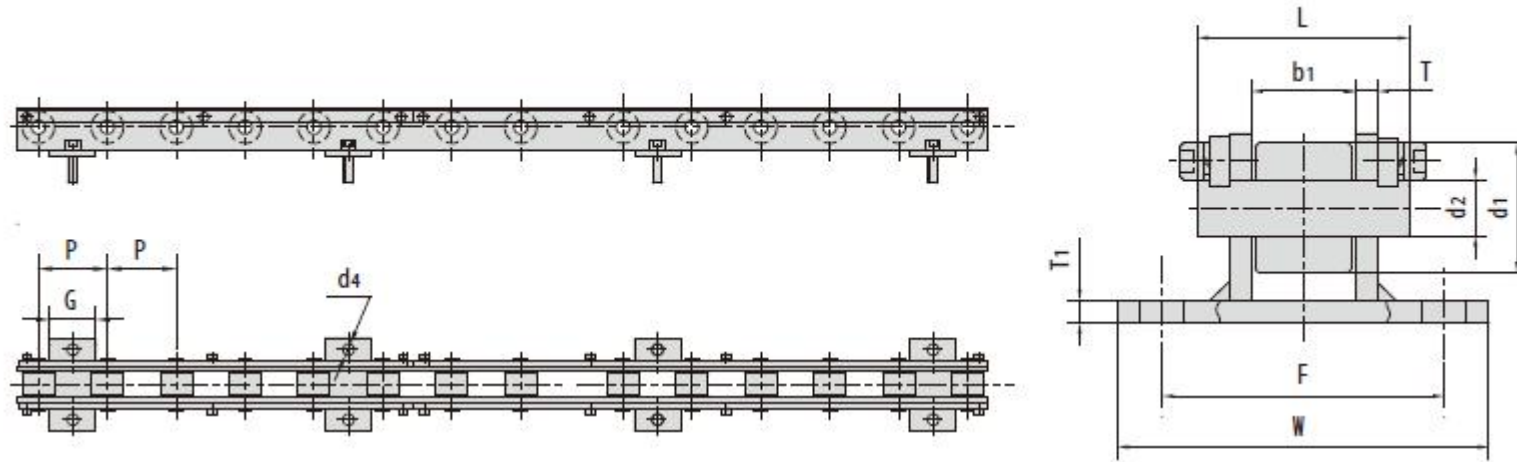
Chain No.	节距 Pitch	链板组合 Plate lacing	销轴直径 Pin diameter	销轴长度 Pin length	链板厚度 Plate thickness	链板尺寸 Plate dimension		抗拉强度 Tensile strength	平均抗拉强度 Average tensile strength	每米长重 Weight per meter
	p		d ₂ max	L _c max	T max	h ₂	M	Q min	Q ₀	q
	mm		mm	mm	mm	mm	mm	kN/bf	kN/bf	kg/m
LF152F1	152.0	6x5	26.92	279.4	25.4	50.8	283.2	2000/449600	2200/494560	70.0
LF155	155.0	7x8	31.5	595.0	40.0	65.0	605.0	3200/719864	3520/791851	202.2



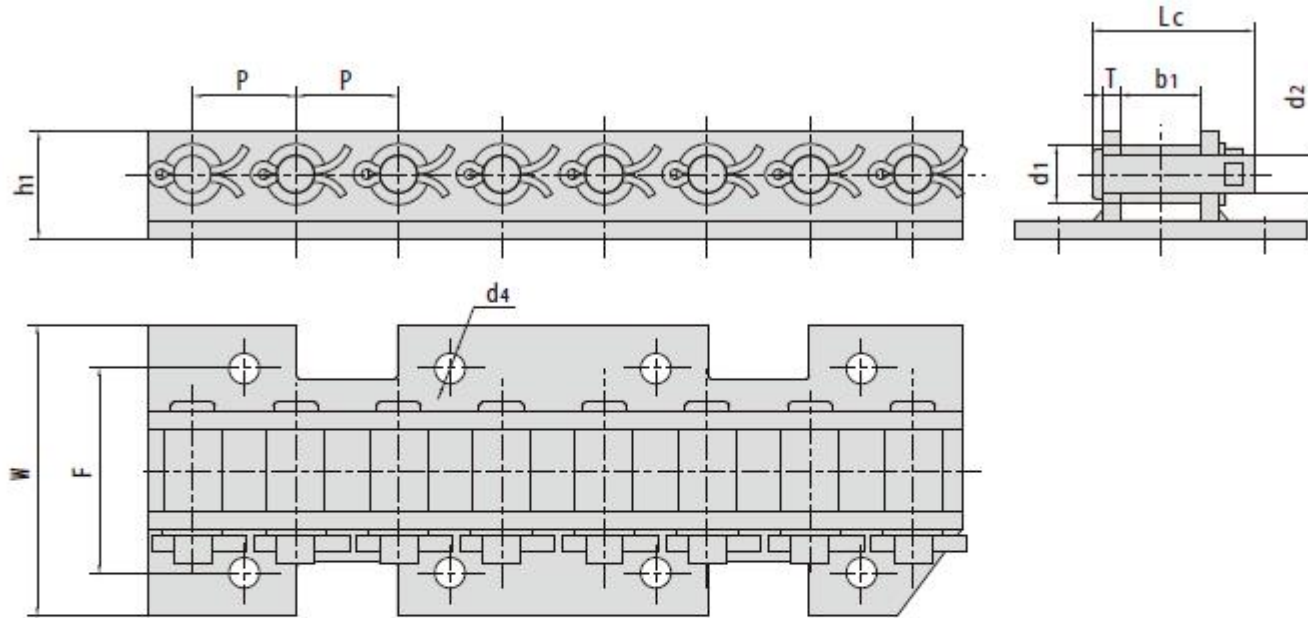


HANGZHOU OCEAN INDUSTRY CO., LTD.

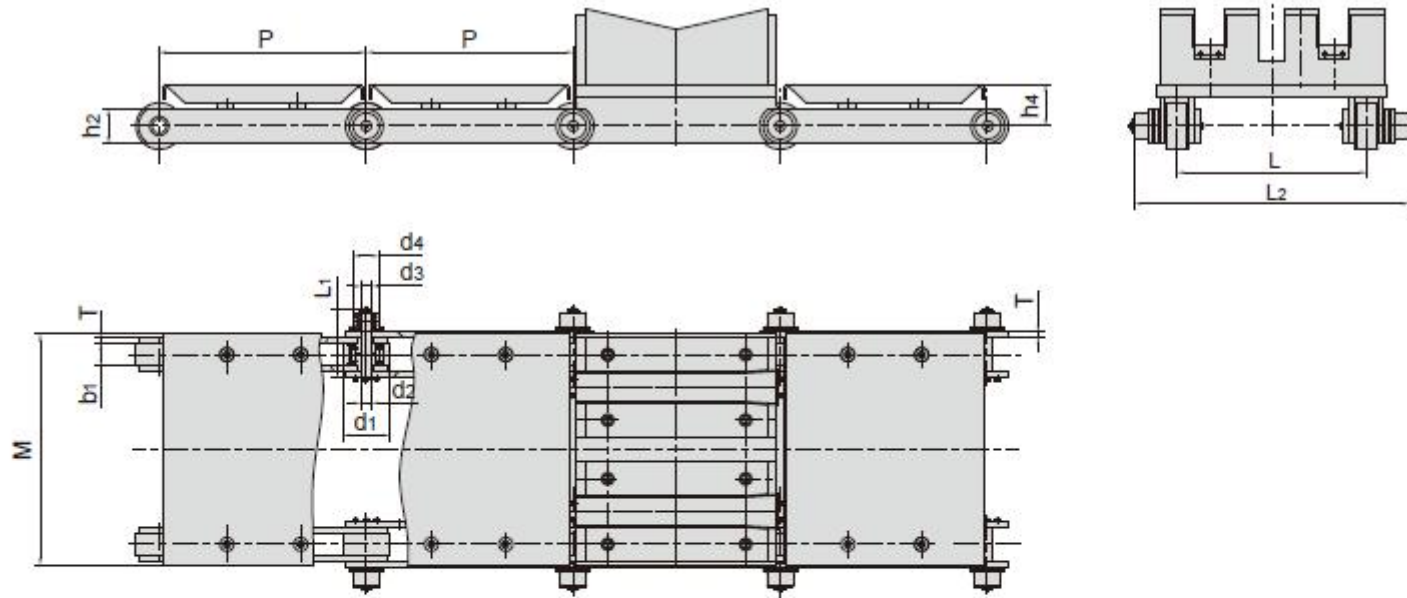
Chain No.	节距 Pitch	链板组合 Plate acing	销轴直径 Pin diameter	销轴长度 Pin length	链板厚度 Plate thickness	链板尺寸 Plate dimension		抗拉强度 Tensile strength	平均抗拉强度 Average tensile strength	每米长重 Weight per meter
	P		d _{max}	L _{c max}	T _{max}	h ₂	M	Q _{min}	Q ₀	q
	mm		mm	mm	mm	mm	mm	kN/bf	kN	kg/m
LF150F1	150.0	18×19	30.0	1117.0	30.0	65.0	1119.0	5200/1169000	5700.0	365.0



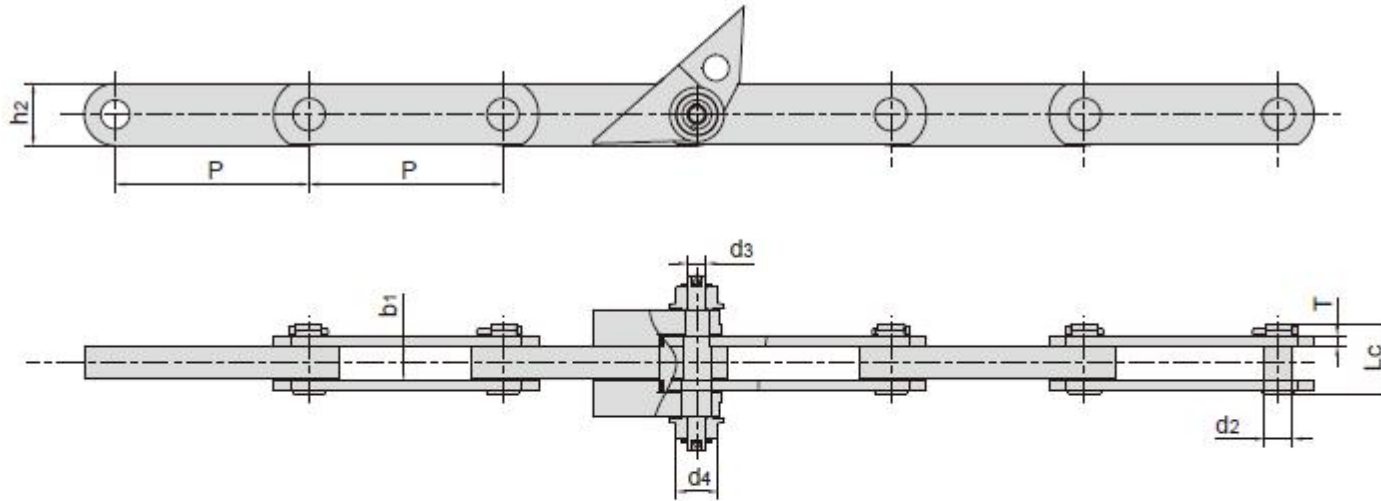
Chain No.	节距 Pitch	滚子直径 Roller diameter	内节内宽 Width between inner plates	销轴直径 Pin diameter	销轴长度 Pin length	链板厚度 Plate thickness	附板尺寸 Attachment dimension					每米长重 Weight per meter
	P	d1 max	b1	d2 max	L max	T max	T1	W	F	d4	G	q
	mm	mm	mm	mm	mm	mm	mm	mm	mm	mm	mm	kg/m
P75F9	75.0	35.0	28.0	15.0	56.0	6.0	6.0	100.0	76.0	12.0	50.0	22.3



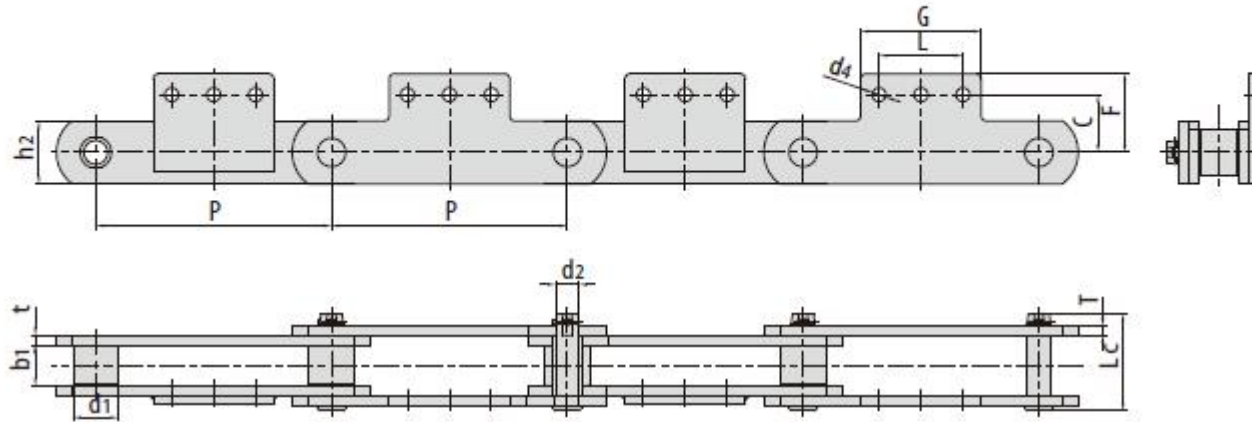
Chain No.	节距 Pitch	滚子直径 Roller diameter	内节内宽 Width between inner plates	销轴直径 Pin diameter	销轴长度 Pin length	链板厚度 Plate thickness	附板尺寸 Attachment dimension				抗拉强度 Tensile strength	每米长重 Weight per meter
	p	d _{1 max}	b ₁	d _{2 max}	L _{c max}	T _{max}	F	W	d ₄	h ₁	Q _{min}	q
	mm	mm	mm	mm	mm	mm	mm	mm	mm	mm	kN/bf	kg/m
P50.8F10	50.8	28.6	40.0	18.5	80.0	9.0	101.6	143.6	15.0	53.0	193/43416	11.2



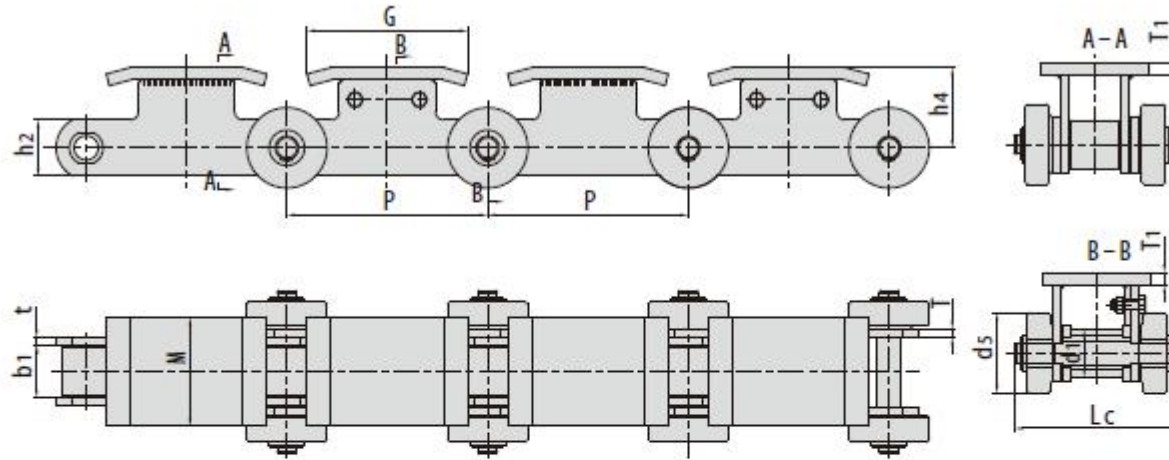
Chain No.	节距 Pitch	滚子直径 Roller diameter		内节内宽 Width between inner plates	销轴直径 Pin diameter		销轴长度 Pin length	链板尺寸 Plate dimension		附件尺寸 Attachment dimension				抗拉强度 Tensile strength
	P	d1 max	d4	b1 min	d2 max	d3 max	Lc max	h2	T max	L	L2	M	h4	Q min
	mm	mm	mm	mm	mm	mm	mm	mm	mm	mm	mm	mm	mm	kN/bf
P 600F3	600.0	135.0	76.0	68.0	30.0	30.0	200.3	100.0	15.0	550.0	794.0	670.0	120.0	1000.0/224809.0



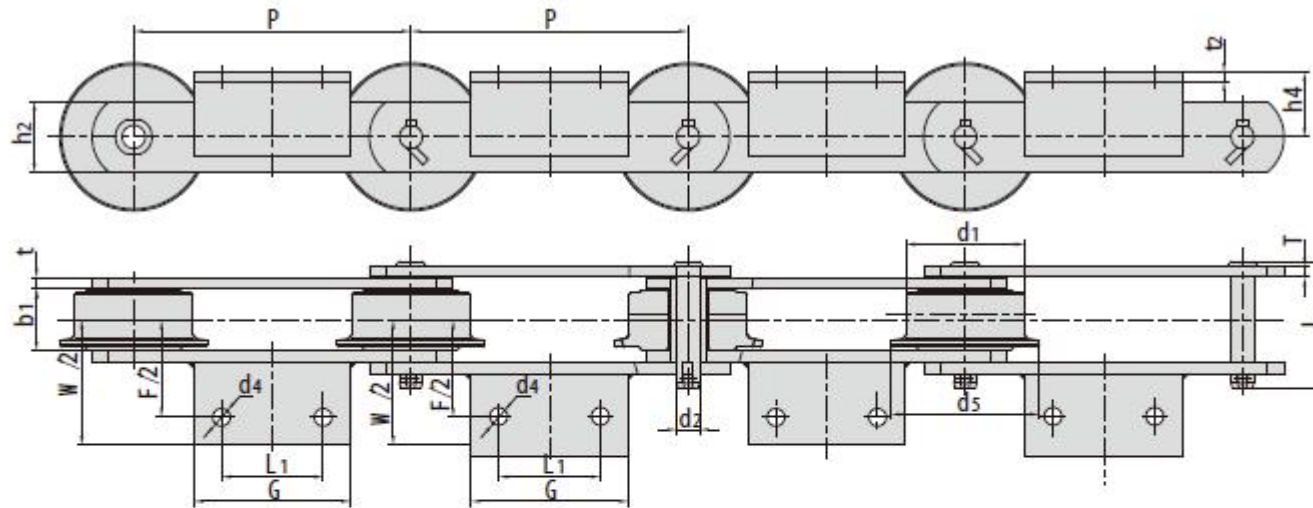
Chan No.	节距 Pitch	滚子直径 Roller diameter	外节内宽 Width between outer plates	销轴直径 Pin diameter		销轴长度 Pin length	链板尺寸 Plate dimension		抗拉强度 Tensile strength
	P	$d_{4\max}$	b_1	$d_{2\max}$	$d_{3\max}$	$L_{c\max}$	h_2	T_{\max}	Q_{\min}
	mm	mm	mm	mm	mm	mm	mm	mm	kN/bf
P300F7	300.0	65.0	53.0	44.0	28.0	108.9	96.0	16.0	500.0/112404.0



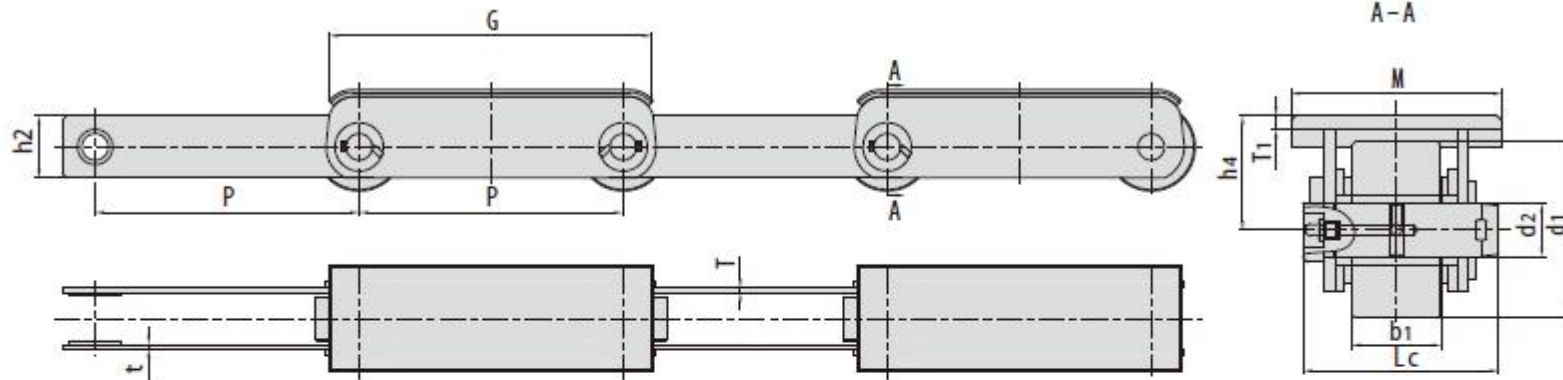
Chain No.	节距 Pitch	滚子直径 Roller diameter	内节内宽 Width between inner plates	销轴直径 Pin diameter	销轴长度 Pin length	链板厚度 Plate thickness	链板高度 Inner Plate depth	附板尺寸 Attachment dimension					每米长重 Weight per meter
	p	d1 max	b1 min	d2 max	Lc max	t/T	h2 max	C	F	L	G	d4	q
	mm	mm	mm	mm	mm	mm	mm	mm	mm	mm	mm	mm	kg/m
P450F9SA3	450.0	85.0	78.0	45.0	185.0	18.0	120.0	133.0	150.0	160.0	230.0	26.0	61.7



Chain No.	节距	滚子直径		内节内宽	销轴直径	销轴长度	链板厚度	链板高度	附板尺寸			抗拉强度	
	Pitch	Roller diameter		Width between inner plates	P in diameter	P in length	Plate thickness	Inner Plate depth	Attachment dimension			Tensile strength	
	P	d1 max	d5 max	b1 min	d2 max	Lc max	t/T	h2 max	h4	G	M	T1	Q _{min}
	mm	mm	mm	mm	mm	mm	mm	mm	mm	mm	mm	mm	kN/bf
P250F132	250.0	60.0	100.0	65.0	30.0	203.0	10.0	70.0	100.0	200.0	135.0	15.0	412.0/2618.0



Chain No.	节距	滚子直径		内节内宽	销轴直径	销轴长度	链板厚度	链板高度	附板尺寸						抗拉强度	每米长重	
	Pitch	Roller diameter		Width between inner plates	Pin diameter	Pin length	Plate thickness	Inner Plate depth	Attachment dimension						Tensile strength	Weight per meter	
	p	d1 max	d5 max	b1 min	d2 max	Lc max	t/T	h2 max	W	F	L1	G	d4	h4	t2	Q min	q
	mm	mm	mm	mm	mm	mm	mm	mm	mm	mm	mm	mm	mm	mm	mm	kN/bf	kg/m
P 300F38A2-F	300	128	160	67	25	138	13	78	300	211	110	170	19	70	10	485/109028	49.6



Chain No.	节距	滚子直径	内节内宽	销轴直径	销轴长度	链板厚度	链板高度	附板尺寸				抗拉强度	每米长重
	Pitch	Roller diameter	Width between inner plates	Pin diameter	Pin length	Plate thickness	Inner Plate depth	Attachment dimension				Tensile strength	Weight per meter
	p	d_1 max	b_1 min	d_2 max	L_c max	t/T	h_2 max	h_4	G	M	T_1	Q min	q
	mm	mm	mm	mm	mm	mm	mm	mm	mm	mm	mm	kN/bf	kg/m
P 300F48	300	100	51	30	111	5	70	65	369	120	8	230/51704	25