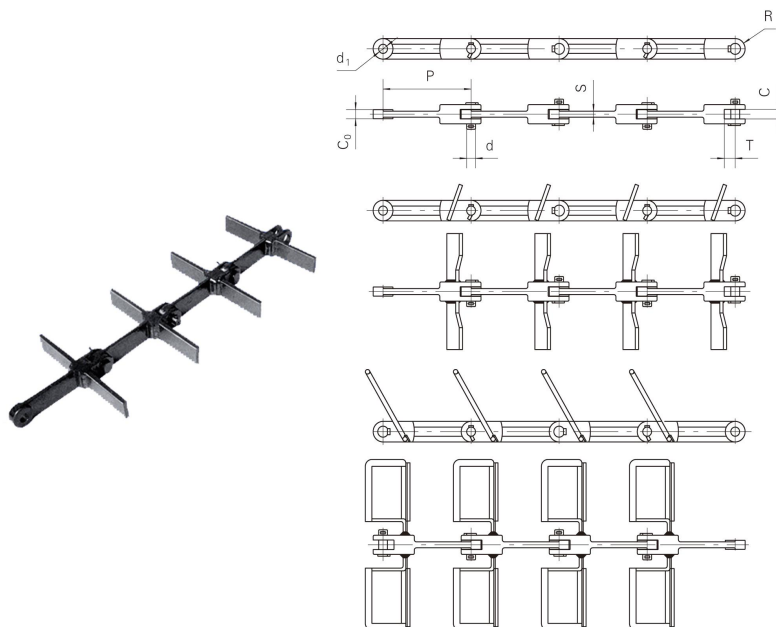


水泥工业链 Cement Industrial Chains

锻造叉型链 Forging Fork-Shaped Chains



链号 Chain No.	最小抗拉强度 Ultimate tensile strength	节距 Pitch P						销轴 Pin		链杆参数 Parameters of Link						
		Ful(min)	80	100	125	160	200	250	d	R	S	C	Co	d1	T	
		kN	mm	mm	mm	mm	mm	mm	mm	mm	mm	mm	mm	mm	mm	
MCL56	56	#	#	#				9.92	10	6	12	11	10	12		
MCL80	80	#	#	#				11.905	12	7	14	13	12	14		
MCL112	112		#	#	#			14.905	15	8	16.5	15	15	17		
MCL160	160			#	#	#		17.905	18	10	18.5	17	18	20		
MCL224	224				#	#	#	20.89	21	12	22	20	21	23		
MCL315	315					#	#	24.89	25	14	26	24	25	27		
MCL450	450						#	29.88	30	16	30	28	30	32		
MCL630	630						#	35.88	36	20	32	30	36	40		
MCL900	900							43.87	45	24	40	38	44	48		