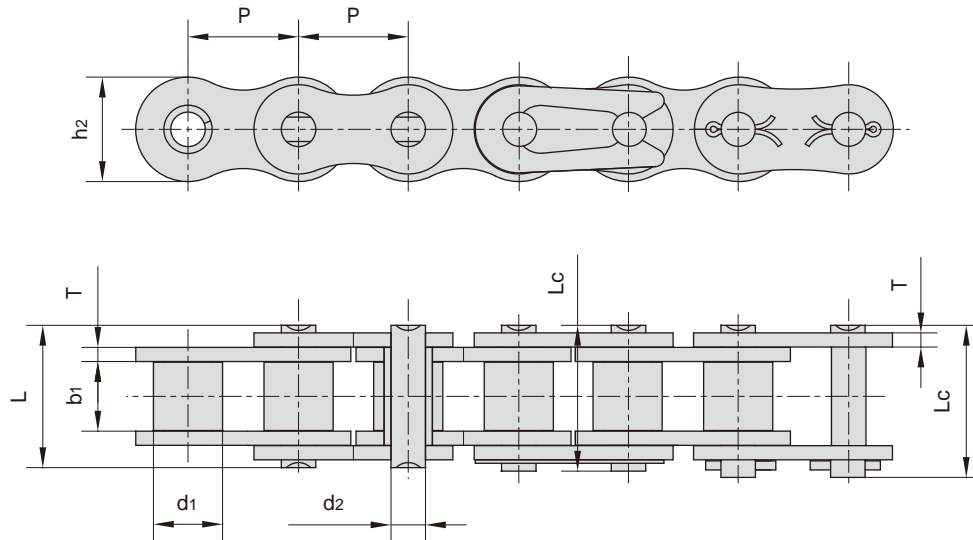


重载系列滚子链

Heavy duty series roller chains

单排滚子链/套筒链

Simplex roller chains & bush chains



| ISO/ANSI 链号 ISO/ANSI Chain No. | 节距 | 滚子直径 | 内节内宽 | 销轴直径 | 销轴长度 | | 内链板高度 | 链板厚度 | 抗拉强度 | 平均抗拉强度 | 每米长重 |
|---|--------|-----------------|----------------------------|--------------|-------|--------|-------------------|-----------------|------------------|--------------------------|------------------|
| | Pitch | Roller diameter | Width between inner plates | Pin diameter | L | Lc | Inner plate depth | Plate thickness | Tensile strength | Average tensile strength | Weight per meter |
| | P | d1 max | b1 min | d2 max | L max | Lc max | h2 max | T max | Q min | Q0 | q |
| | mm | mm | mm | mm | mm | mm | mm | mm | kN/lbf | kN | kg/m |
| *35H-1 | 9.525 | 5.08 | 4.77 | 3.58 | 13.3 | 14.3 | 9.00 | 1.50 | 7.9/1795 | 10.8 | 0.41 |
| 40H-1 | 12.700 | 7.95 | 7.85 | 3.96 | 18.8 | 19.9 | 12.00 | 2.03 | 14.1/3205 | 19.1 | 0.82 |
| 50H-1 | 15.875 | 10.16 | 9.40 | 5.08 | 22.1 | 23.4 | 15.09 | 2.42 | 22.2/5045 | 30.2 | 1.25 |
| 60H-1 | 19.050 | 12.70 | 12.57 | 5.94 | 29.2 | 31.0 | 18.00 | 3.25 | 31.8/7227 | 42.7 | 1.87 |
| 80H-1 | 25.400 | 15.88 | 15.75 | 7.92 | 36.2 | 37.7 | 24.00 | 4.00 | 56.7/12886 | 71.4 | 3.10 |
| 100H-1 | 31.750 | 19.05 | 18.90 | 9.53 | 43.6 | 46.9 | 30.00 | 4.80 | 88.5/20114 | 112.4 | 4.52 |
| 120H-1 | 38.100 | 22.23 | 25.22 | 11.10 | 53.5 | 57.5 | 35.70 | 5.60 | 127.0/28864 | 160.9 | 6.60 |
| 140H-1 | 44.450 | 25.40 | 25.22 | 12.70 | 57.6 | 62.2 | 41.00 | 6.40 | 172.4/39182 | 217.3 | 8.30 |
| 160H-1 | 50.800 | 28.58 | 31.55 | 14.27 | 68.2 | 73.0 | 47.80 | 7.20 | 226.8/51545 | 285.8 | 10.30 |
| 180H-1 | 57.150 | 35.71 | 35.48 | 17.46 | 75.9 | 81.6 | 53.60 | 8.00 | 281.0/63863 | 341.8 | 14.83 |
| 200H-1 | 63.500 | 39.68 | 37.85 | 19.85 | 86.6 | 93.5 | 60.00 | 9.50 | 353.8/80409 | 444.5 | 19.16 |
| 240H-1 | 76.200 | 47.63 | 47.35 | 23.81 | 109.6 | 115.9 | 72.30 | 12.70 | 510.3/115977 | 622.5 | 30.40 |

*套筒链：表中滚子直径d1为套筒直径

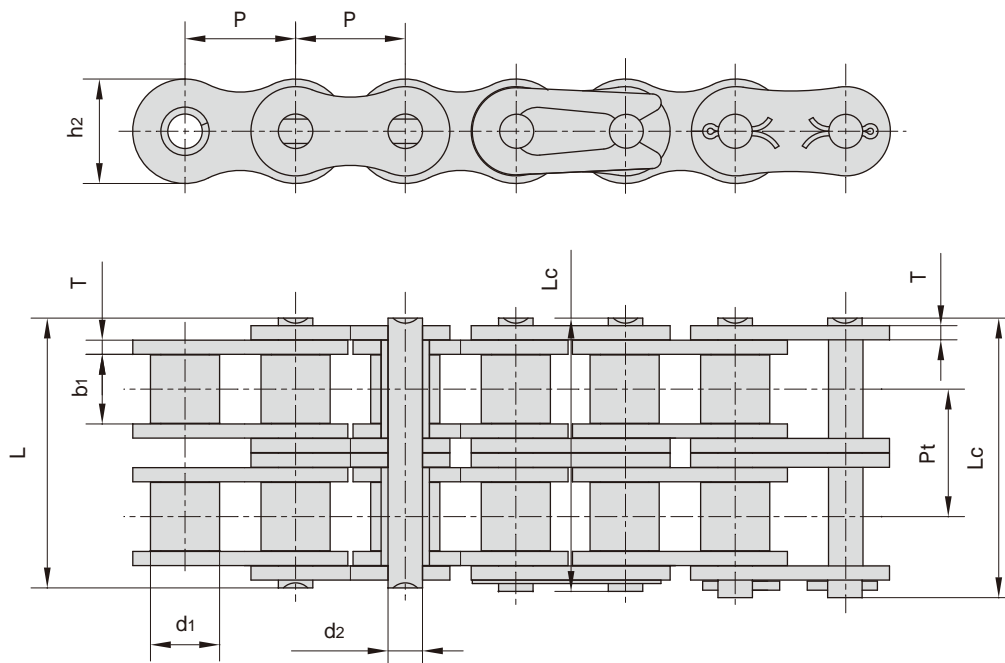
*Bush chain: d1 in the table indicates the external diameter of the bush

重载系列滚子链

Heavy duty series roller chains

双排滚子链

Duplex roller chains



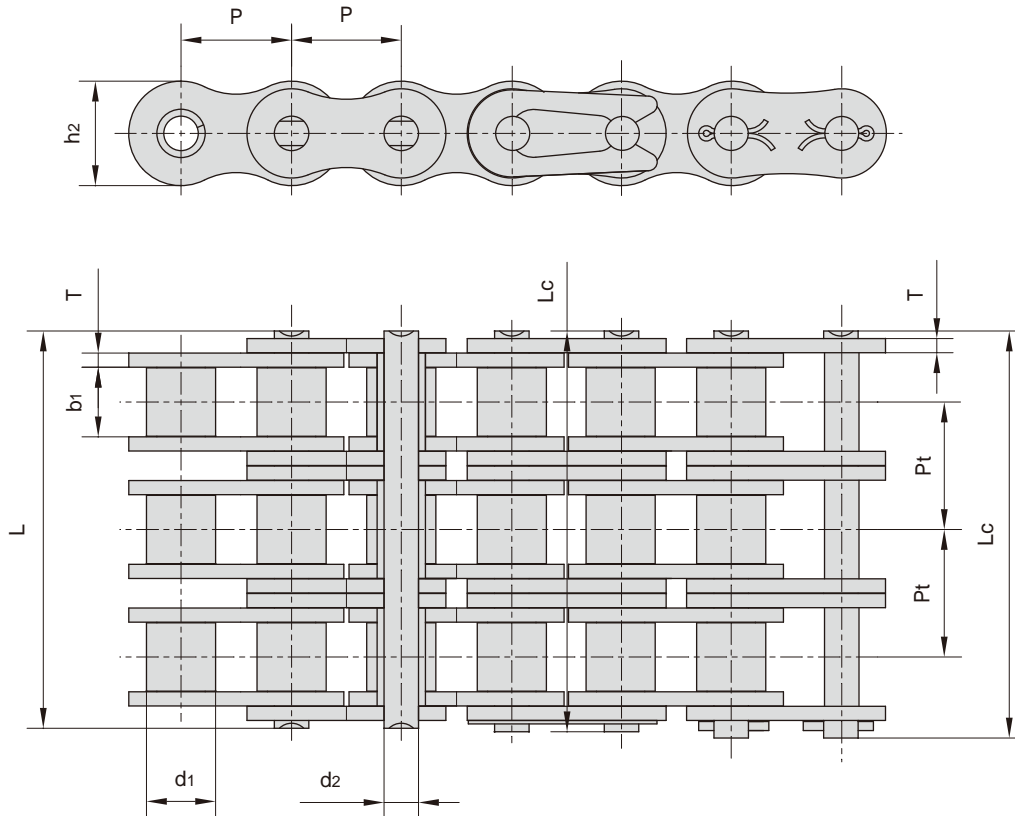
| ISO/ANSI 链号 | 节距 Pitch | 滚子直径 Roller diameter | 内节内宽 Width between inner plates | 销轴直径 Pin diameter | 销轴长度 Pin length | | 内链板高度 Inner plate depth | 链板厚度 Plate thickness | 排距 Transverse pitch | 抗拉强度 Tensile strength | 平均抗拉强度 Average tensile strength | 每米长重 Weight per meter |
|-----------------------|-------------|----------------------------|--|-------------------------|-----------------------|-----------|----------------------------------|----------------------------|---------------------------|-----------------------------|--|--------------------------------|
| ISO/ANSI Chain No. | P | d1 max | b1 min | d2 max | L max | Lc max | h2 max | T max | Pt | Q min | Q ₀ | q |
| | mm | mm | mm | mm | mm | mm | mm | mm | mm | kN/lbf | kN | kg/m |
| 60H-2 | 19.050 | 11.91 | 12.57 | 5.94 | 55.3 | 57.1 | 18.00 | 3.25 | 26.11 | 63.6/14455 | 84.5 | 3.71 |
| 80H-2 | 25.400 | 15.88 | 15.75 | 7.92 | 68.8 | 70.3 | 24.00 | 4.00 | 32.59 | 113.4/25773 | 145.3 | 6.15 |
| 100H-2 | 31.750 | 19.05 | 18.90 | 9.53 | 82.7 | 86.0 | 30.00 | 4.80 | 39.09 | 177.0/40227 | 225.9 | 9.03 |
| 120H-2 | 38.100 | 22.23 | 25.22 | 11.10 | 102.4 | 106.4 | 35.70 | 5.60 | 48.87 | 254.0/57727 | 322.7 | 13.13 |
| 140H-2 | 44.450 | 25.40 | 25.22 | 12.70 | 109.8 | 114.4 | 41.00 | 6.40 | 52.20 | 344.8/78364 | 437.7 | 16.60 |
| 160H-2 | 50.800 | 28.58 | 31.55 | 14.27 | 130.1 | 134.9 | 47.80 | 7.20 | 61.90 | 453.6/103091 | 571.6 | 20.20 |
| 180H-2 | 57.150 | 35.71 | 35.48 | 17.46 | 146.5 | 155.6 | 53.60 | 8.00 | 69.16 | 562/127726 | 680.0 | 29.20 |
| 200H-2 | 63.500 | 39.68 | 37.85 | 19.85 | 164.9 | 171.8 | 60.00 | 9.50 | 78.31 | 707.6/160818 | 894.9 | 38.11 |
| 240H-2 | 76.200 | 47.63 | 47.35 | 23.81 | 212.6 | 223.1 | 72.30 | 12.70 | 101.22 | 1000/227270 | 1200.0 | 60.50 |

重载系列滚子链

Heavy duty series roller chains

三排滚子链

Triplex roller chains



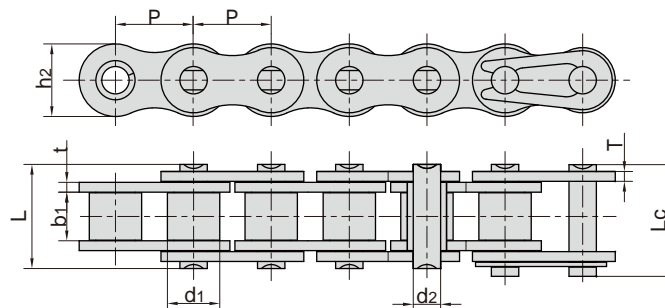
| ISO/ANSI 链号 ISO/ANSI Chain No. | 节距 Pitch P mm | 滚子直径 Roller diameter d1 max mm | 内节内宽 Width between inner plates b1 min mm | 销轴直径 Pin diameter d2 max mm | 销轴长度 Pin length L max mm Lc max mm | | 内链板高度 Inner plate depth h2 max mm | 链板厚度 Plate thickness T max mm | 排距 Transverse pitch Pt mm | 抗拉强度 Tensile strength Q min kN/lbf | 平均抗拉强度 Average tensile strength Q0 kN | 每米长重 Weight per meter q kg/m |
|---|------------------------|---|---|--|--|-------|---|--|---------------------------------------|---|--|---|
| 60H-3 | 19.050 | 11.91 | 12.57 | 5.94 | 81.4 | 83.2 | 18.00 | 3.25 | 26.11 | 95.4/21682 | 113.9 | 5.54 |
| 80H-3 | 25.400 | 15.88 | 15.75 | 7.92 | 101.4 | 102.9 | 24.00 | 4.00 | 32.59 | 170.1/38659 | 203.5 | 9.42 |
| 100H-3 | 31.750 | 19.05 | 18.90 | 9.53 | 121.8 | 125.1 | 30.00 | 4.80 | 39.09 | 265.5/60341 | 314.8 | 12.96 |
| 120H-3 | 38.100 | 22.23 | 25.22 | 11.10 | 151.2 | 155.2 | 35.70 | 5.60 | 48.87 | 381.0/86591 | 444.7 | 19.64 |
| 140H-3 | 44.450 | 25.40 | 25.22 | 12.70 | 162.0 | 166.6 | 41.00 | 6.40 | 52.20 | 517.2/117545 | 598.4 | 24.90 |
| 160H-3 | 50.800 | 28.58 | 31.55 | 14.27 | 192.0 | 196.8 | 47.80 | 7.20 | 61.90 | 680.4/154636 | 787.3 | 30.10 |
| 180H-3 | 57.150 | 35.71 | 35.48 | 17.46 | 215.7 | 224.8 | 53.60 | 8.00 | 69.16 | 843/191589 | 1011.0 | 44.10 |
| 200H-3 | 63.500 | 39.68 | 37.85 | 19.85 | 243.2 | 250.1 | 60.00 | 9.50 | 78.31 | 1061.4/241227 | 1228.2 | 57.06 |
| 240H-3 | 76.200 | 47.63 | 47.35 | 23.81 | 313.8 | 324.3 | 72.30 | 12.70 | 101.22 | 1500/340905 | 1650.0 | 91.00 |

重载系列滚子链

Heavy duty series roller chains

非标重载系列滚子链

Non-standard Heavy duty series roller chains



| Chain No. | 节距 | 滚子直径 | 内节内宽 | 销轴直径 | 销轴长度 | | 内链板高度 | 链板厚度 | 抗拉强度 | 每米长重 |
|-----------|--------|-----------------|----------------------------|--------------|------------|--------|-------------------|-----------------|------------------|------------------|
| | Pitch | Roller diameter | Width between inner plates | Pin diameter | Pin length | | Inner plate depth | Plate thickness | Tensile strength | Weight per meter |
| | P | d1 max | b1 min | d2 max | L max | Lc max | h2 max | t/T | Q min | q |
| | mm | mm | mm | mm | mm | mm | mm | mm | kN/lbf | kg/m |
| 04BH | 6.000 | 4.00 | 2.80 | 1.85 | 8.4 | 9.4 | 5.0 | 0.90 | 5.00/1136 | 0.14 |
| *06BH | 9.525 | 6.35 | 5.72 | 3.58 | 14.4 | 15.4 | 8.2 | 1.60 | 11.25/2557 | 0.51 |
| #35HF1 | 9.525 | 5.08 | 4.77 | 3.58 | 14.6 | 15.6 | 9.0 | 1.80 | 9.00/2023 | 0.47 |
| 08AHF1 | 12.700 | 7.95 | 10.00 | 3.96 | 21.0 | 22.2 | 12.0 | 2.03 | 13.80/3136 | 0.88 |
| 08BH | 12.700 | 8.51 | 7.85 | 4.45 | 18.8 | 19.9 | 11.8 | 2.03 | 20.60/4682 | 0.79 |
| 41HF1 | 12.700 | 7.77 | 6.25 | 3.58 | 16.7 | 18.0 | 9.9 | 2.03 | 9.00/2023 | 0.59 |
| *C40HF3 | 12.700 | 7.95 | 7.85 | 3.96 | 18.8 | 19.9 | 12.0 | 2.03 | 20.00/4496 | 0.94 |
| *C08BHF8 | 12.700 | 8.51 | 7.85 | 4.45 | 19.9 | 21.0 | 11.8 | 2.42/2.03 | 25.00/5620 | 1.04 |
| 10BH | 15.875 | 10.16 | 9.65 | 5.08 | 20.2 | 21.6 | 14.7 | 1.85 | 25.00/5681 | 1.03 |
| 10BHF1 | 15.875 | 10.16 | 6.45 | 5.08 | 18.0 | 19.8 | 14.7 | 2.10 | 23.60/5305 | 1.05 |
| 12BH | 19.050 | 12.07 | 11.68 | 5.94 | 25.2 | 26.8 | 16.0 | 2.42 | 40.00/9091 | 1.45 |
| 12BHF1 | 19.050 | 12.07 | 11.68 | 6.10 | 25.0 | 27.2 | 16.5 | 2.50 | 44.00/10000 | 1.46 |
| 12BHF2 | 19.050 | 12.07 | 13.30 | 6.10 | 28.8 | 30.3 | 16.5 | 2.80 | 35.00/7954 | 1.72 |
| 12BHF3 | 19.050 | 12.07 | 13.50 | 5.72 | 28.8 | 30.3 | 16.5 | 2.80 | 35.00/7954 | 1.71 |
| 12BV | 19.050 | 12.07 | 11.68 | 6.10 | 24.5 | 26.5 | 16.0 | 2.42 | 36.00/8182 | 1.43 |
| 60HV | 19.050 | 11.91 | 12.57 | 5.94 | 29.2 | 31.0 | 18.0 | 3.25 | 40.00/9090 | 2.00 |
| 12AHF7 | 19.050 | 11.91 | 9.50 | 5.94 | 25.9 | 27.7 | 18.0 | 3.25 | 49.00/11015 | 1.78 |
| 12AHF101 | 19.050 | 11.91 | 9.40 | 5.94 | 26.3 | 28.1 | 18.0 | 3.25 | 53.00/11914 | 1.81 |
| 12BHF5 | 19.050 | 12.07 | 11.68 | 6.10 | 25.2 | 26.8 | 17.9 | 2.42 | 40.00/8992 | 1.60 |
| *C12BHF3 | 19.050 | 12.07 | 11.68 | 5.72 | 29.3 | 31.2 | 20.0 | 4.0/3.0 | 31.40/7059 | 2.38 |
| 16BH | 25.400 | 15.88 | 17.02 | 8.90 | 35.7 | 38.9 | 24.1 | 4.00/3.1 | 80.00/18182 | 3.11 |
| 16BHF3 | 25.400 | 15.88 | 12.70 | 8.90 | 31.6 | 35.0 | 24.1 | 4.00/3.1 | 80.00/18182 | 2.90 |
| *C20AHF1 | 31.750 | 19.05 | 19.05 | 10.32 | 43.6 | 46.9 | 30.0 | 4.80 | 146.00/32821 | 5.40 |
| 20BH | 31.750 | 19.05 | 19.56 | 10.19 | 47.1 | 51.0 | 26.4 | 6.0/4.8 | 95.00/21356 | 4.52 |
| 20BHF1 | 31.750 | 19.05 | 19.56 | 10.19 | 47.1 | 51.0 | 29.2 | 6.0/4.8 | 150.00/33720 | 5.09 |
| 24BH | 38.100 | 25.40 | 25.40 | 14.63 | 58.6 | 63.4 | 36.2 | 7.50/6.0 | 225.00/51136 | 9.00 |
| 24BHF2 | 38.100 | 25.40 | 25.40 | 14.63 | 57.8 | 62.2 | 37.0 | 7.20/6.0 | 225.40/51226 | 9.06 |
| 24BHF5 | 38.100 | 25.40 | 25.40 | 14.63 | 64.6 | 69.1 | 36.2 | 9.00/7.5 | 270.00/61344 | 10.60 |
| 28BH | 44.450 | 27.94 | 30.99 | 15.90 | 69.6 | 75.0 | 36.7 | 8.5/7.2 | 200.00/44960 | 9.99 |
| 32AHF1 | 50.800 | 28.58 | 31.55 | 15.00 | 75.4 | 80.3 | 47.8 | 9.00 | 222.40/49996 | 13.36 |
| 32BH | 50.800 | 29.21 | 30.99 | 17.81 | 72.0 | 77.2 | 42.0 | 8.00 | 250.00/56200 | 11.26 |
| 32BHF1 | 50.800 | 29.21 | 31.55 | 17.81 | 69.9 | 74.7 | 48.2 | 8.0/7.15 | 350.00/78680 | 13.20 |

*直链板

*Strait side plates

#套筒链：表中滚子直径d1为套筒直径

Bush chain: d1 in the table indicates the external diameter of the bush