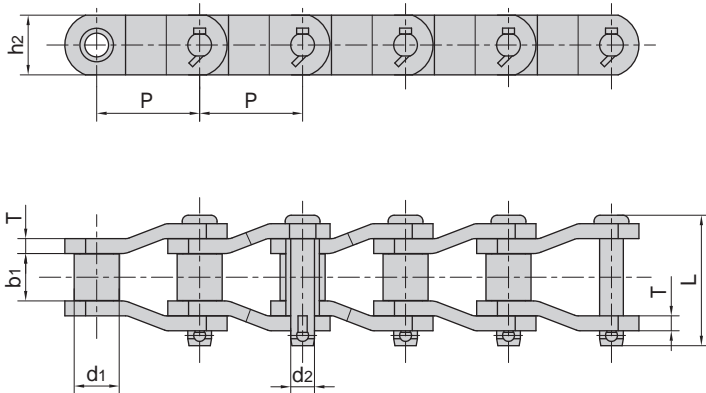


重载弯板传动链

Heavy duty cranked-link transmission chains



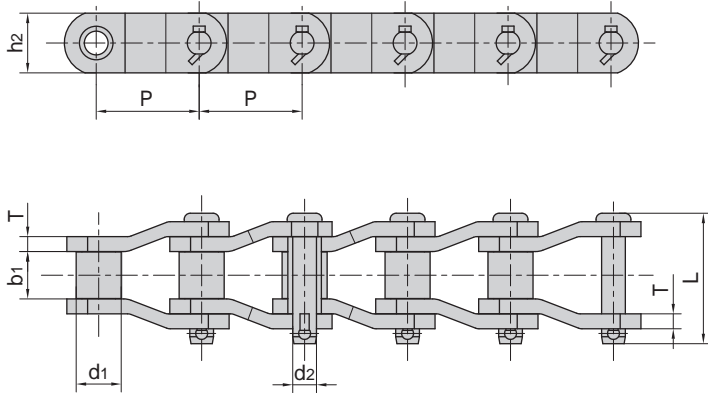
Chain No.	节距 Pitch P	滚子直径 Roller diameter d1 max	内节内宽 Width between inner plates b1 min	销轴直径 Pin diameter d2 max	销轴长度 Pin length L max	链板高度 Plate depth h2	链板厚度 Plate thickness T	极限拉伸载荷 Ultimate tensile strength Q min	平均拉伸载荷 Average tensile strength Q0	每米长重 Weight per meter q
	mm	mm	mm	mm	mm	mm	mm	kN/ bf	kN	kg/m
MXS432	42.01	22.23	25.40	11.10	57.9	28.50	4.8	80.80/18363	88.0	5.65
R3112	50.80	28.70	31.00	14.20	73.9	41.40	6.4	168.90/38385	185.0	10.70
R3112F1	50.80	28.70	31.00	15.06	79.5	41.40	7.9	195.60/18363	225.0	12.23
SS2065	50.80	28.58	32.50	15.05	79.5	38.00	7.9	220.00/49998	242.0	12.14
2010	63.50	31.75	38.10	15.90	89.0	47.80	7.9	250.00/56818	275.0	13.53
2010H	63.50	31.75	31.75	15.88	97.0	41.50	9.5	250.00/56818	275.0	11.91
2010SH	63.50	31.75	38.10	15.88	97.0	41.50	9.5	300.00/68181	330.0	12.00
*SS588F4	66.27	22.23	30.40	11.11	60.0	32.00	4.8	90.00/20454	103.0	5.05
MXS882	66.27	22.23	28.58	11.10	68.5	28.50	6.4	115.60/26272	124.8	5.30
SS588	66.27	22.23	28.60	11.11	63.7	28.60	6.4	130.00/29545	144.0	5.46
SS588F1	66.27	22.23	27.00	11.11	62.0	28.60	6.4	88.90/20205	97.8	5.39
SS588F2	66.27	22.23	27.00	9.53	59.0	25.40	5.6	84.46/19195	91.2	4.26
*MX603	76.20	22.50	38.00	14.00	88.0	40.00	8.0	147.00/33408	161.0	9.20
*MXS3011F1	77.90	31.75	39.60	19.05	100.0	57.00	9.7	407.50/18363	468.0	17.68
2512(MXS3011)	77.90	41.28	39.60	19.05	100.0	57.00	9.7	340.00/77272	367.2	18.40
2512F2	77.90	41.28	38.50	19.05	103.4	60.00	10.0	400.00/90909	420.0	20.28
2512F3	77.90	41.28	40.00	18.60	104.2	46.70	11.0	340.00/77271	391.0	18.15
2512F4	77.90	41.28	39.60	19.05	110.0	60.00	12.0	407.50/92612	468.0	23.60
SS568H	77.90	41.30	39.70	19.05	97.6	57.00	9.5	340.00/77272	367.2	19.80
SS568HF2	77.90	31.75	39.70	19.05	98.5	57.00	9.5	447.00/101588	491.0	16.90

*套筒链：表中滚子直径d1为套筒直径

*Bush chain: d1 in the table indicates the external diameter of the bush.

重载弯板传动链

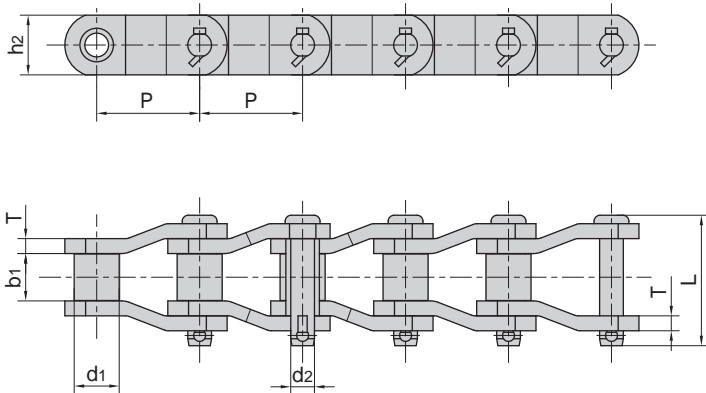
Heavy duty cranked-link transmission chains



Chain No.	节距 Pitch P	滚子直径 Roller diameter d1 max	内节内宽 Width between inner plates b1 min	销轴直径 Pin diameter d2 max	销轴长度 Pin length L max	链板高度 Plate depth h2	链板厚度 Plate thickness T	极限拉伸载荷 Ultimate tensile strength Q min	平均拉伸载荷 Average tensile strength Q0	每米长重 Weight per meter q
	mm	mm	mm	mm	mm	mm	mm	kN/ bf	kN	kg/m
SS568HF3	77.90	41.30	39.70	19.05	104.1	57.00	11.0	489.3/111203	562.0	20.85
2510	78.10	31.75	36.90	16.00	94.8	40.00	8.0	271.0/61590	292.6	10.72
2510F1	78.10	31.75	36.60	16.00	88.9	38.10	8.0	124.5/28295	137.0	9.93
2510F1-CF1	78.10	31.75	36.60	16.00	88.9	38.10	8.0	124.5/28295	137.0	10.00
2510F2	78.10	31.75	36.60	15.75	88.0	38.10	8.0	225.0/51135	248.0	11.70
2510H	78.10	31.75	36.90	16.50	95.3	45.00	9.5	280.4/63727	302.8	12.70
MXS3075	78.10	31.75	38.10	16.46	93.5	44.50	9.7	334.0/75907	365.8	13.45
MXS3075F1	78.10	33.00	38.10	16.46	94.5	44.50	9.7	334.0/75907	365.8	14.00
MXS3075F1SH	78.10	33.00	38.10	16.46	94.5	44.45	9.7	360.0/81817	414.0	13.96
MXS3075F2	78.10	31.75	38.10	17.81	90.0	45.00	8.0	333.2/75726	365.8	12.20
MXS3075F3	78.10	33.30	38.10	16.46	94.5	44.50	9.7	334.0/75908	384.0	14.00
MXS3075F4	78.10	33.30	38.10	17.15	94.5	44.50	9.7	360.0/81817	414.0	14.00
SS40H(P)	78.11	31.75	38.10	15.88	97.0	41.50	9.5	250.0/56818	280.0	12.60
3125	79.37	41.27	39.70	20.32	101.6	57.20	9.5	347.1/78885	400.0	20.10
3125F1	79.37	41.27	39.70	20.32	101.6	57.20	9.5	374.0/84998	430.0	20.10
3125F2	79.37	41.27	41.30	20.32	105.0	57.20	9.5	481.2/109362	529.0	20.44
3125HF1	79.37	43.00	41.00	22.23	108.0	57.20	11.0	400.0/90908	500.0	23.25
2814	88.90	44.45	36.60	22.23	117.6	58.00	12.7	471.0/105955	507.6	25.70
2814F1	88.90	44.45	36.90	22.23	117.6	60.00	13.5	556.0/126358	611.0	24.20
2814F2	88.90	44.45	38.60	22.23	119.6	58.00	12.7	559.0/127040	614.9	25.40

重载弯板传动链

Heavy duty cranked-link transmission chains



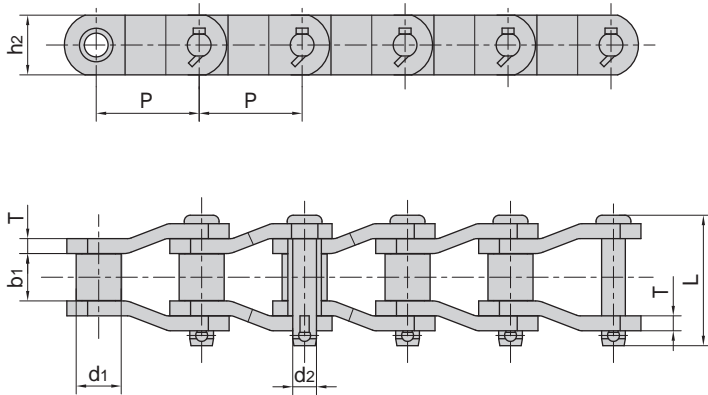
Chain No.	节距 Pitch p	滚子直径 Roller diameter d1 max	内节内宽 Width between inner plates b1 min	销轴直径 Pin diameter d2 max	销轴长度 Pin length L max	链板高度 Plate depth h2	链板厚度 Plate thickness T	极限拉伸载荷 Ultimate tensile strength Q min	平均拉伸载荷 Average tensile strength Q0	每米长重 Weight per meter q
	mm	mm	mm	mm	mm	mm	mm	kN/ bf	kN	kg/m
RO1644F1	96.000	44.80	39.00	23.80	119.00	60.00	14.0	530.0/120453	609.0	27.45
*MX604	101.600	25.00	57.00	16.00	117.00	50.00	10.0	227.0/51590	261.0	13.63
SB1254	103.124	45.21	30.48	23.81	107.95	57.15	12.7	400.0/90908	460.0	22.67
3214	103.200	44.45	48.00	22.00	123.50	55.00	13.0	476.0/108180	514.0	23.60
3214F1	103.200	44.45	49.20	23.90	129.00	60.00	14.0	666.4/151450	700.0	26.70
3214F2	103.200	44.45	39.70	19.05	97.60	57.20	9.5	456.0/103635	500.0	17.67
3214F3	103.200	46.00	49.20	23.90	123.50	60.00	13.0	539.0/122498	619.0	26.16
MXS1242	103.200	44.45	49.20	22.23	124.50	57.00	12.8	623.0/141591	672.8	24.63
MXS1242F1	103.200	44.45	55.00	22.23	128.80	57.00	12.8	623.0/141589	716.0	24.16
SS124	103.200	44.45	49.20	22.23	127.20	57.00	12.7	560.0/127272	590.0	22.57
3315	103.450	45.24	49.30	23.85	130.00	63.50	14.2	550.0/125000	594.0	27.71
3315F1	103.450	45.24	47.60	23.85	134.00	60.00	15.0	650.0/147725	747.0	27.34
3315F2	103.450	50.00	49.30	25.00	142.50	63.50	16.0	620.0/140907	713.0	32.50
SH1245	103.450	45.30	49.60	23.80	130.00	60.00	14.5	722.0/164084	794.0	31.00
SS1245	103.450	45.20	49.60	23.80	129.40	60.00	14.5	550.0/125000	605.0	31.19
SS1245F1	103.450	45.20	49.60	25.60	132.30	60.00	14.5	530.0/120453	609.0	28.53
SS1245F2	103.450	46.20	52.00	23.80	139.20	60.00	16.0	530.0/120453	609.0	31.15
3618	114.300	57.15	52.30	27.97	138.00	79.20	14.2	760.0/172727	820.8	41.20
SS635H	114.300	57.20	52.40	27.94	137.00	76.20	14.5	760.0/172727	836.0	37.80
SS635HF1	114.300	57.20	52.40	27.94	137.00	76.20	17.5	964.0/219085	1060.0	37.90

*套筒链：表中滚子直径d1为套筒直径

*Bush chain: d1 in the table indicates the external diameter of the bush.

重载弯板传动链

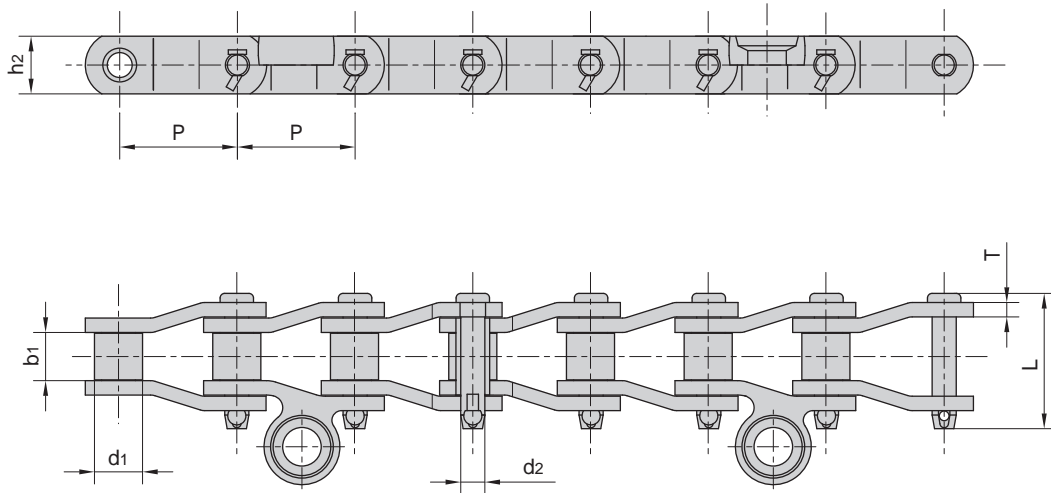
Heavy duty cranked-link transmission chains



Chain	No.	节距 Pitch p	滚子直径 Roller diameter d1	内节内宽 Width between inner plates b1	销轴直径 Pin diameter d2	销轴长度 Pin length L	链板高度 Plate depth h2	链板厚度 Plate thickness T	极限拉伸载荷 Ultimate tensile strength Q _{min}	平均拉伸载荷 Average tensile strength Q ₀	每米长重 Weight per meter q
		mm	mm	mm	mm	mm	mm	mm	kN/lbf	kN	kg/m
SS635HF2		114.300	57.20	52.40	27.94	137.0	76.20	7.5	964.0/219088	1108.0	37.90
4020		127.000	63.50	69.90	31.78	165.7	88.90	15.7	987.0/224300	1069.2	48.60
4020F1		127.000	63.50	68.30	31.78	168.1	90.00	17.0	1100.0/249997	1265.0	50.60
4020F2		127.000	69.85	68.30	35.05	173.0	95.25	19.0	1100.0/249997	1265.0	59.08
4020F3		127.000	63.50	69.90	34.93	176.0	91.00	19.0	1410.0/320450	1551.0	58.40
4020HF1		127.000	63.50	69.90	34.93	176.0	88.90	19.0	1300.0/295451	1495.0	54.50
4020HF2		127.000	63.50	65.02	34.93	171.0	88.90	19.0	1300.0/295451	1430.0	38.58
4020SHF1		127.000	63.50	69.90	31.78	165.7	88.90	15.7	1333.0/302905	1532.0	48.60
RO1205		127.000	63.50	65.00	31.75	147.6	82.50	14.2	872.0/198177	955.0	42.93
2184		152.400	76.20	35.00	22.20	96.0	51.00	9.5	330.0/75000	378.0	18.17
4824		152.400	76.20	74.60	38.10	186.0	100.00	20.0	1600.0/363632	1700.0	69.80
6060		152.400	88.90	101.00	47.63	228.7	114.30	22.0	1700.0/386359	1955.0	97.59
DH6042F1		152.400	76.35	76.30	38.05	188.0	101.60	19.0	1400.0/318178	1610.0	58.36
RO6042F1		152.400	76.20	76.30	44.00	184.0	120.00	19.0	1500.0/340900	1600.0	63.60
P153		153.619	34.93	53.98	17.48	107.0	44.50	9.5	150.0/34090	165.0	10.90
P153F1		153.619	34.93	53.98	17.48	100.0	44.50	8.0	150.0/34090	165.0	9.74
P153F2		153.619	34.93	53.98	17.48	100.0	44.50	8.0	150.0/34090	165.0	9.80
5628		177.800	88.90	82.60	44.45	210.0	133.00	22.0	1890.0/429540	2173.0	99.50
5628F1		177.800	88.90	82.60	44.45	210.0	127.00	22.0	2224.0/505448	2557.0	96.80

重载弯板传动链

Heavy duty cranked-link transmission chains



Chain No.	节距	滚子直径	内节内宽	销轴直径	销轴长度	链板高度	链板厚度	极限拉伸载荷	平均拉伸载荷
	Pitch	Roller diameter	Width between inner plates	Pin diameter	Pin length	Plate depth	Plate thickness	Ultimate tensile strength	Average tensile strength
	P	d1 max	b1 min	d2 max	L max	h2	T	Q min	Q0
	mm	mm	mm	mm	mm	mm	mm	kN/bf	kN
SS40SL	78.105	31.78	31.75	15.90	89.15	38.0	9.5	250.0/56818	266.88

