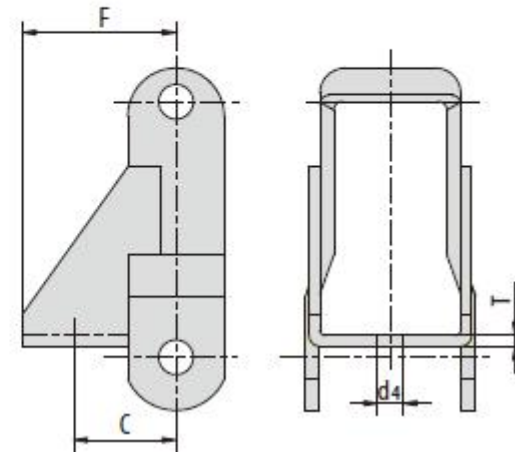


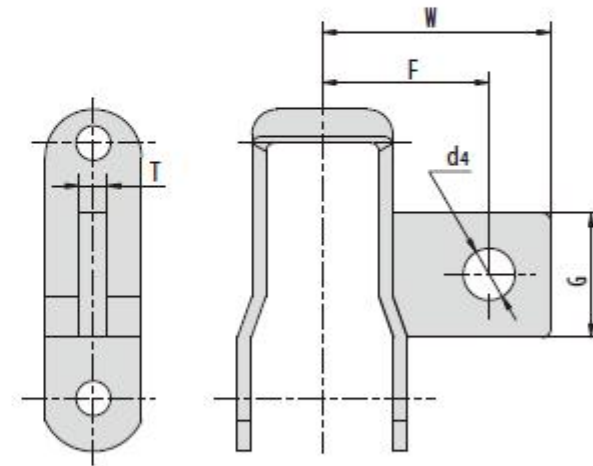
Chain No.	C	F	d <sub>4</sub>	T
	mm	mm	mm	mm
662	22.90	37.2	7.00	2.8
667H	25.40	38.9	7.00	4.8
667X	29.50	39.7	7.00	4.8

带C1附件  
With C1 attachments



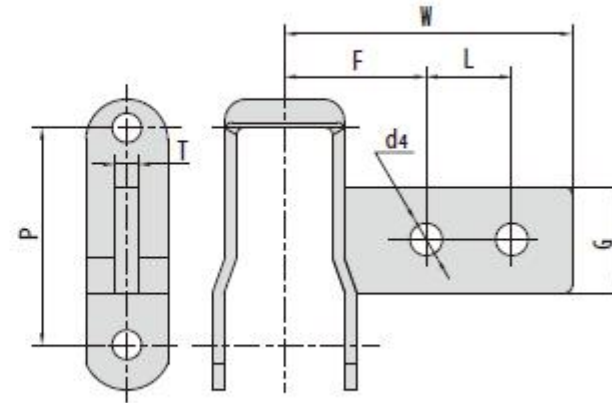
Chan No.	G	F	W	d4	T
	mm	mm	mm	mm	
662-ASF2	18.2	35.9	48.4	7.00	4.3
662-ASF3	23.8	34.9	48.0	6.75	4.8
662	24.2	35.9	48.4	7.00	4.3
667H-ASF9	28.6	51.6	65.9	8.33	6.4
667XH-KSF5	28.6	47.7	59.2	9.50	6.4
88C-KSF5	28.6	47.7	60.5	9.50	6.4
667H-ASF10	28.6	51.6	65.9	9.90	6.4
667X-ASF8	28.6	51.6	68.3	9.90	7.9
667H-ASF5	28.7	51.9	66.6	8.40	6.5
667X-ASF7	29.0	46.9	63.7	8.50	8.0
667H	29.7	51.6	66.6	8.50	6.4
667X	29.7	51.6	69.0	8.50	7.9
667-ASF1	29.7	51.6	69.0	8.50	4.3
667H-ASF2	29.7	51.6	66.6	8.50	6.4
667X-ASF14	30.0	55.0	73.0	10.30	8.0
667K-ASF6	31.5	50.5	71.5	11.90	10.0
667XH-AS	31.8	51.6	69.9	9.90	9.5
667XH-ASF3	31.8	51.6	69.9	11.90	9.5
88C-ASF2	31.8	51.6	71.4	9.90	9.5
88C-ASF3	31.8	51.6	71.4	11.50	9.5
667XH-ASF4	31.8	51.6	69.8	11.50	9.5
667K-ASF8	31.8	51.6	71.4	11.90	9.5
667XH-ASF7	31.8	51.6	69.9	9.92	9.6
667K	32.5	51.6	72.2	10.00	9.5
88K	32.5	51.6	72.2	10.00	9.5
88C	32.5	51.6	72.2	10.00	9.5

带AS附件  
With AS attachments



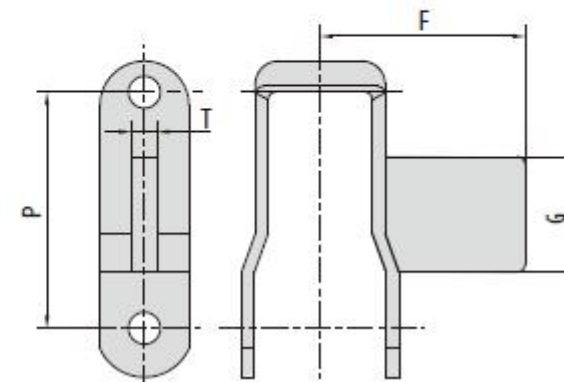
Chain No.	P	G	F	L	W	d <sub>4</sub>	T
	mm	mm	mm	mm	mm	mm	mm
662	42.27	24.2	34.9	15.9	60.3	6.75	4.3
88C	66.27	32.5	54.0	63.5	136.5	9.92	9.5
88K	66.27	32.5	54.0	63.5	136.5	9.92	9.5

带A22附件  
With A22 attachments

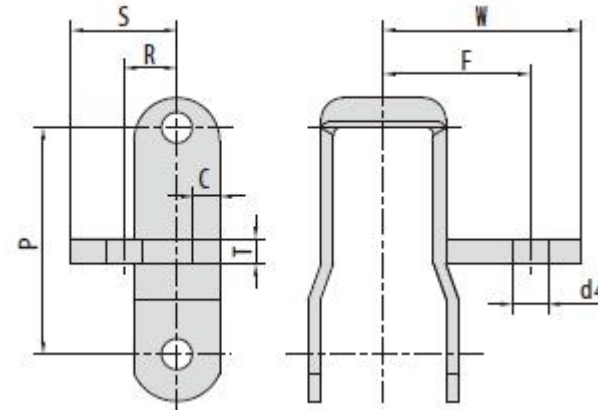


Chain No.	P	G	F	T
	mm	mm	mm	mm
662	42.27	24.2	47.6	4.3
667H	58.75	29.7	69.0	6.4
667X	57.15	29.7	68.3	7.9
667K	57.15	32.5	68.3	9.5
88K	66.27	32.5	68.3	9.5

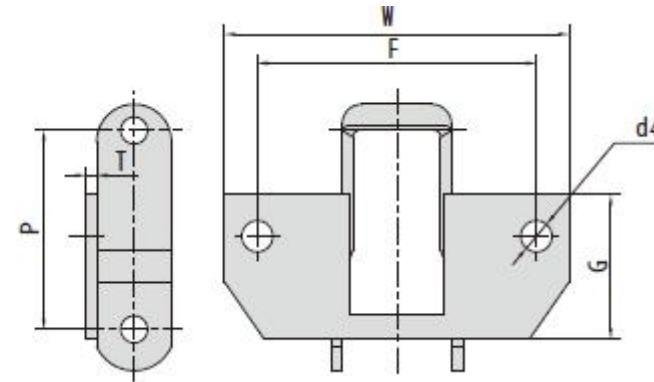
带AN附件  
With AN attachments



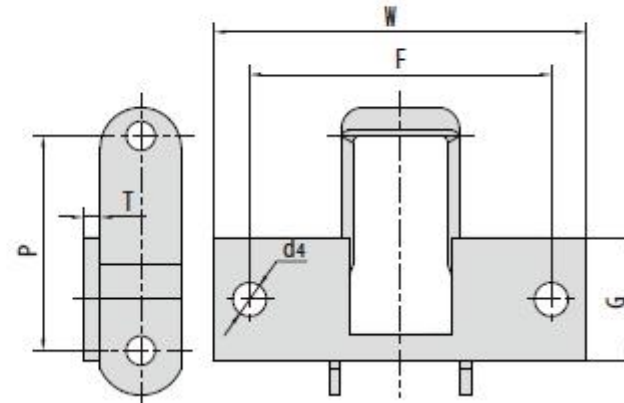
Chain No.	附件名称 Attachment No.	P	R	S	F	W	d4	T	C
		mm	mm	mm	mm	mm	mm	mm	mm
662	G 28	42.27	20.6	33.3	31.8	43.7	6.75	6.4	4.8
662	G 30	42.27	19.1	33.3	33.3	48.0	8.33	6.4	4.8
662	G 30S	42.27	19.1	33.3	33.3	48.0	8.73	6.4	4.8
667H	G 27S	58.75	19.1	31.8	51.6	65.9	9.92	6.4	6.4



Chain No.	附件名称 Attachment No.	P	G	F	W	d4	T
		mm	mm	mm	mm	mm	mm
662	K 1	42.27	34.9	62.7	82.6	6.75	3.2
662	K 19	42.27	34.9	50.8	71.4	6.75	3.2
667X	K 1	57.15	34.9	62.7	82.6	6.75	3.2
667H	K 1	58.75	34.9	62.7	82.6	6.75	3.2



Chain No.	附件名称 Attachment No.	P	G	F	W	d4	T
		mm	mm	mm	mm	mm	mm
88K	K1C	66.27	47.6	95.3	127.0	9.92	4.8
88K	K1M	66.27	47.6	101.6	127.0	9.92	4.8
88K	K1P	66.27	47.6	96.8	127.0	9.92	4.8



Chain No.	附件名称 Attachment No.	P	L	G	F	W	d4	T
		mm	mm	mm	mm	mm	mm	mm
88K	K2C	66.27	31.8	57.2	106.4	127.0	9.92	4.8
88K	K2M	66.27	31.8	57.2	101.6	127.0	9.92	4.8
88K	K2P	66.27	31.8	57.2	92.0	127.0	9.92	4.8

