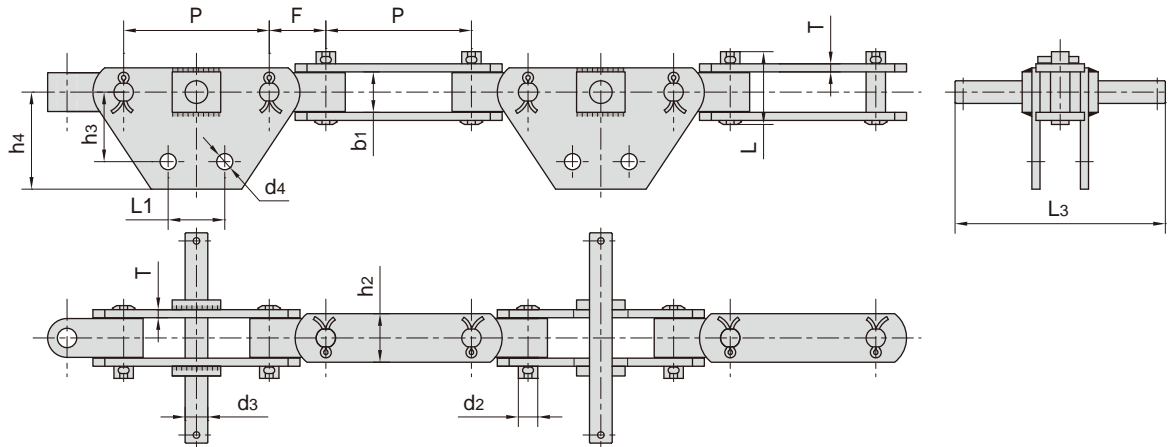
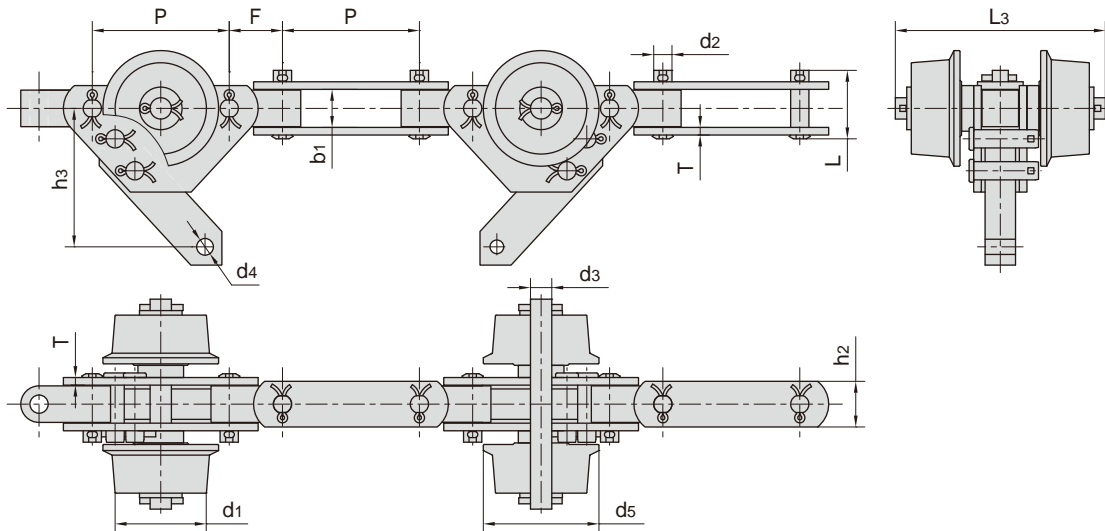


双铰接输送链

Universal movement conveyor chains



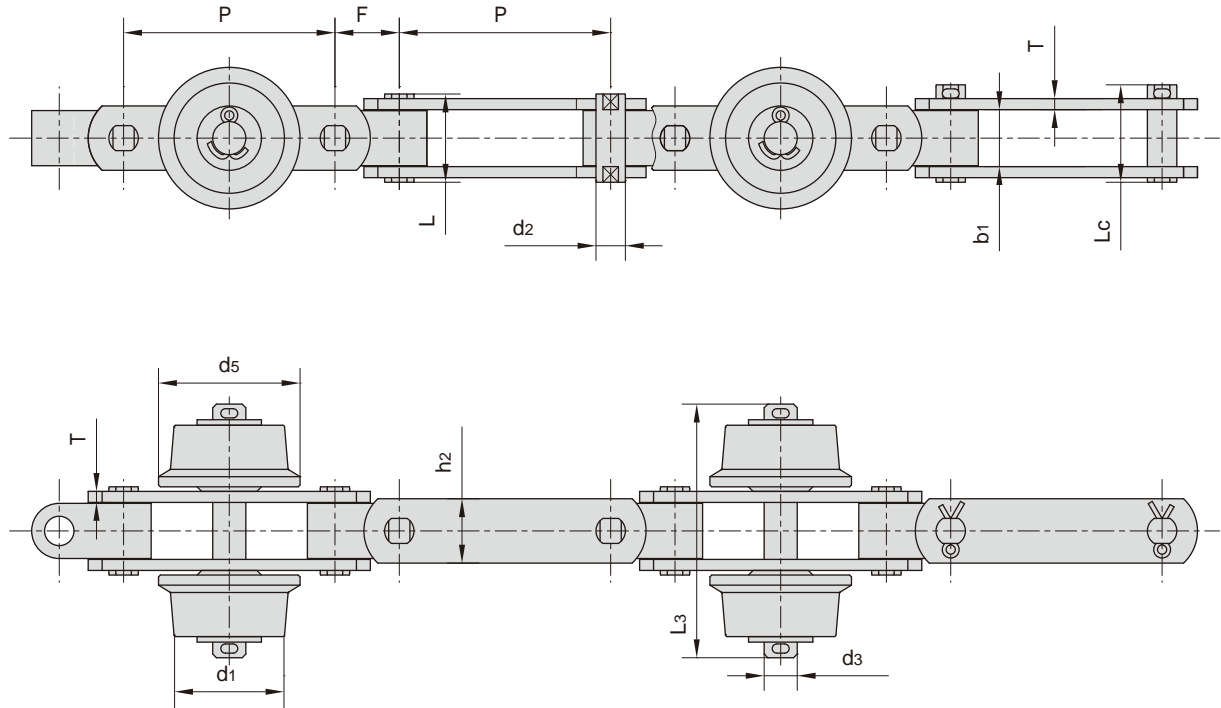
Chain No.	节距 Pitch	外节内宽 Width between outer plates	销轴直径 Pin diameter		销轴长度 Pin length		链板尺寸 plate dimension		附件尺寸 Attachment dimension				抗拉强度 Tensile strength	
	P	b1 min	d2 max	d3 max	L max	L3 max	h2 max	T max	h3	h4	L1	d4	F	Q min
	mm	mm	mm	mm	mm	mm	mm	mm	mm	mm	mm	mm	mm	kN/lbf
SJ250F9	90.0	25.0	12.0	14.0	45.0	130.0	30.0	5.0	55.0	72.0	35.0	10.0	35.0	90.0/20232
SJ300F2	110.0	30.4	16.0	16.0	58.0	132.0	40.0	6.0	55.0	70.0	32.0	12.0	40.0	230.0/51704
SJ300F13	115.0	31.0	16.0	18.0	53.0	155.0	35.0	6.0	33.0	52.5	30.0	13.0	35.0	150.0/33720



Chain No.	节距 Pitch	滚子直径 Pin diameter		外节内宽 Width between outer plates	销轴直径 Pin diameter		销轴长度 Pin length		链板尺寸 plate dimension		附件尺寸 Attachment dimension			抗拉强度 Tensile strength
	P	d1 max	d5 max	b1 min	d2 max	d3 max	L max	L3 max	h2 max	T max	h3	d4	F	Q min
	mm	mm	mm	mm	mm	mm	mm	mm	mm	mm	mm	mm	mm	kN/lbf
SJ250F11	90.0	60.0	76.0	25.0	12.0	14.0	45.0	138.0	30.0	5.0	35.0	10.0	35.0	90.0/20232

双铰接输送链

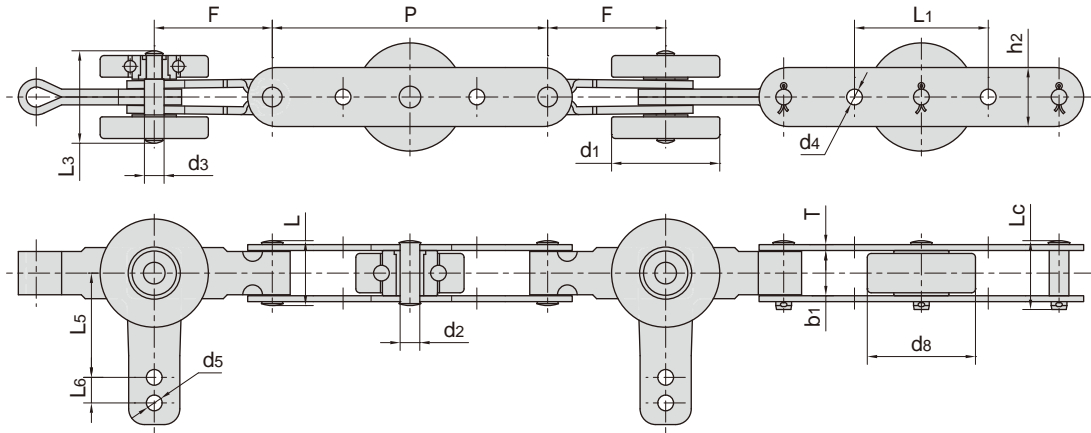
Universal movement conveyor chains



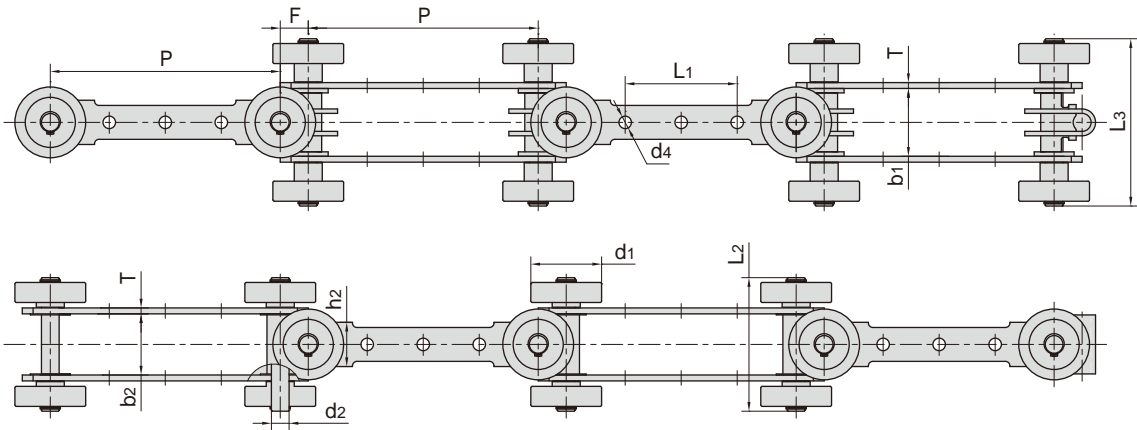
Chain No.	节距 Pitch	滚子直径 Pin diameter		外节内宽 Width between outer plates	销轴直径 Pin diameter		销轴长度 Pin length			链板尺寸 plate dimension		附件尺寸 Attachment dimension	抗拉强度 Tensile strength
	P	d1 max	d5 max	b1 min	d2 max	d3 max	L max	Lc max	L3 max	h2 max	T max	F	Q min
	mm	mm	mm	mm	mm	mm	mm	mm	mm	mm	mm	mm	kN/lbf
SJ250F7	90.0	60.0	77.0	25.0	12.0	14.0	-	45.0	135.0	30.0	5.0	35.0	50.0/11240
SJ300F8	115.0	60.0	77.0	31.0	16.0	18.0	48.0	53.0	138.0	35.0	6.0	35.0	150.0/33720

双铰接输送链

Universal movement conveyor chains



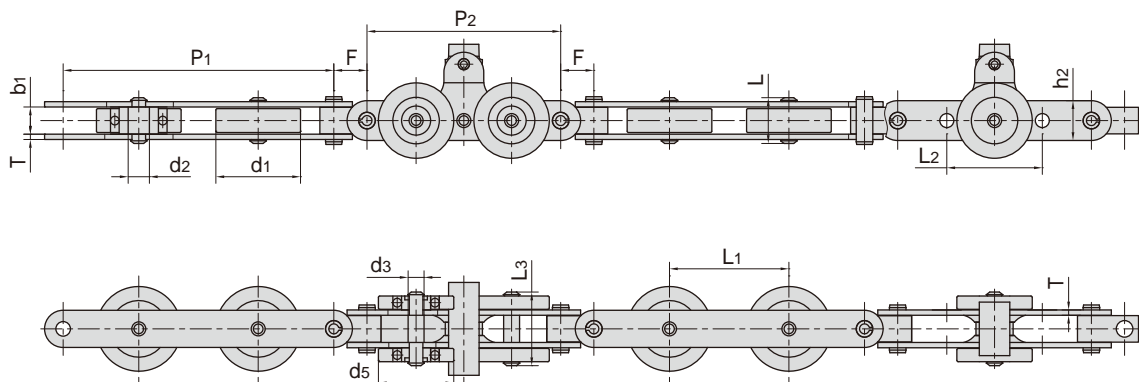
Chain No.	节距	滚子直径		外节内宽		销轴直径			销轴长度			链板尺寸			附件尺寸			抗拉强度
	Pitch	Pin diameter		Width between outer plates		Pin diameter			Pin length			plate dimension			Attachment dimension			Tensile strength
	P	d1 max	d8 max	b1 min	d2 max	d3 max	L max	Lc max	L3 max	h2 max	T max	L1	L5	L6	d4	d5	F	Q min
	mm	mm	mm	mm	mm	mm	mm	mm	mm	mm	mm	mm	mm	mm	mm	mm	mm	kN/lbf
SJ184F1	111.3	55.0	46.0	23.0	10.0	10.0	38.0	-	45.5	25.6	4.0	68.8	53.7	12.2	7.9	7.7	36.35	20.0/4496
SJ200F5	130.0	55.0	48.0	23.0	10.0	10.0	36.0	37.0	45.0	25.0	4.0	70.0	53.0	13.0	8.0	8.0	35.00	35.0/7868
SJ300F14	180.0	55.0	55.0	23.0	10.0	10.0	33.0	35.0	43.0	30.0	3.0	68.0	53.0	13.0	8.0	8.0	60.00	20.0/4496



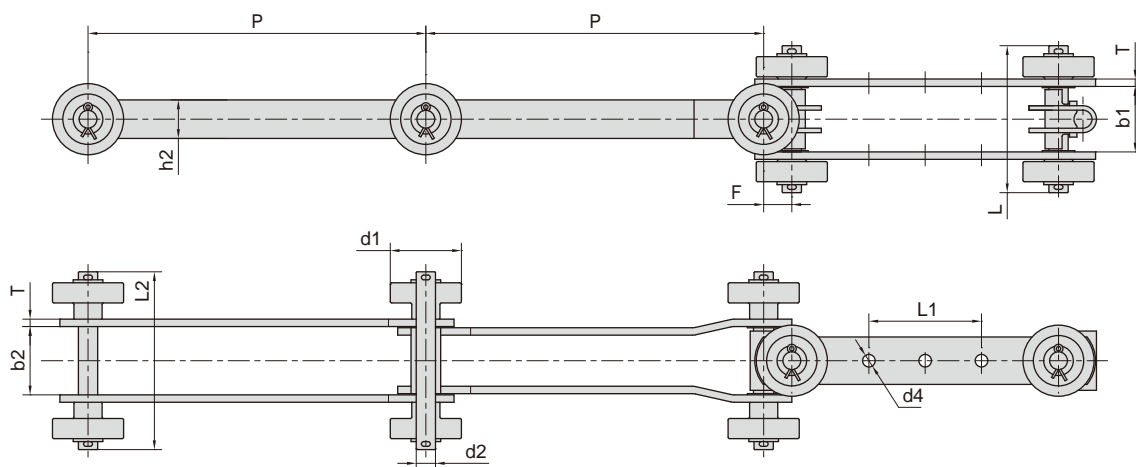
Chain No.	节距	滚子直径	外节内宽		销轴直径	销轴长度		链板尺寸		附件尺寸			抗拉强度
	Pitch	Pin diameter	Width between outer plates		Pin diameter	Pin length		plate dimension		Attachment dimension			Tensile strength
	P	d1 max	b1 min	b2 min	d2 max	L2 max	L3 max	h2 max	T max	L1	d4	F	Q min
	mm	mm	mm	mm	mm	mm	mm	mm	mm	mm	mm	mm	kN/lbf
SJ350	156.0	48.0	46.0	43.0	12.0	91.0	112.5	30.0	4.0	76.0	8.5	19.0	40.0/8992

双铰接输送链

Universal movement conveyor chains



Chain No.	节距 Pitch		滚子直径 Pin diameter		外节内宽 Width between outer plates		销轴直径 Pin diameter			销轴长度 Pin length		链板尺寸 plate dimension		附件尺寸 Attachment dimension			抗拉强度 Tensile strength
	P ₁	P ₂	d ₁ max	d ₅ max	b ₁ min	d ₂ max	d ₃ max	L max	L ₃ max	h ₂ max	T max	L ₁	L ₂	F	Q min		
	mm	mm	mm	mm	mm	mm	mm	mm	mm	mm	mm	mm	mm	mm	mm	kN/lbf	
SJ500F4	204.0	146.0	63.8	56.8	20.5	16.0	12.0	34.5	50.5	30.0	4.0	90.0	72.0	25.0	50.0/11240		
SJ500F2	304.0	146.0	63.8	56.8	20.5	16.0	12.0	34.5	50.5	30.0	4.0	210.0	72.0	25.0	50.0/11240		



Chain No.	节距 Pitch	滚子直径 Pin diameter	外节内宽 Width between outer plates		销轴直径 Pin diameter	销轴长度 Pin length		链板尺寸 plate dimension		附件尺寸 Attachment dimension			抗拉强度 Tensile strength
	P	d ₁ max	b ₁ min	b ₂ min	d ₂ max	L ₂ max	L ₃ max	h ₂ max	T max	L ₁	d ₄	F	Q min
	mm	mm	mm	mm	mm	mm	mm	mm	mm	mm	mm	mm	kN/lbf
SJ685.8F1	228.6	48.0	43.0	46.0	12.7	96.0	120.0	26.0	5.0	76.0	8.5	16.5	40.0/8992