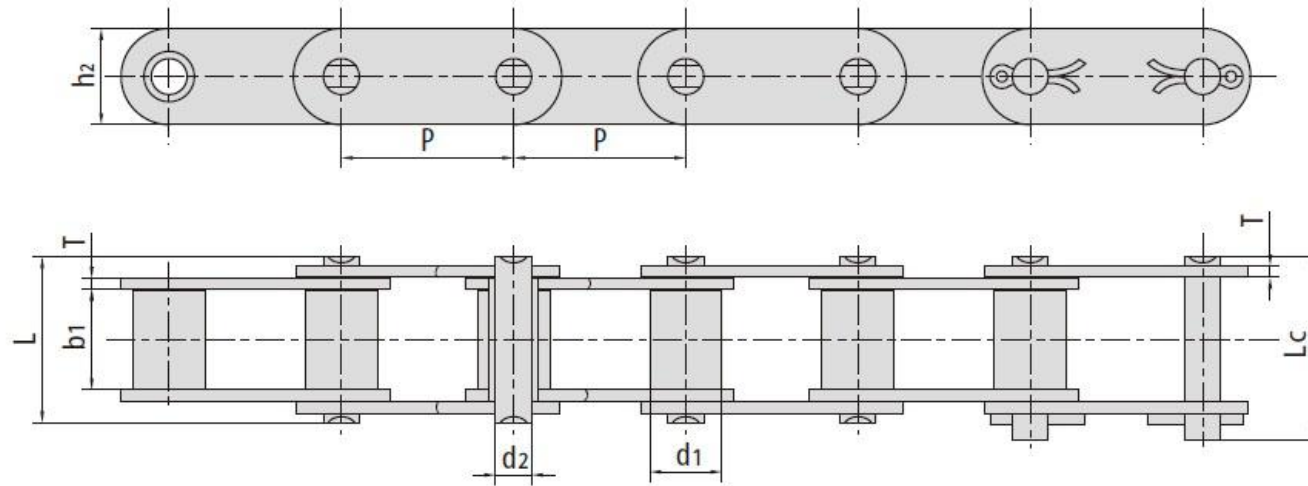
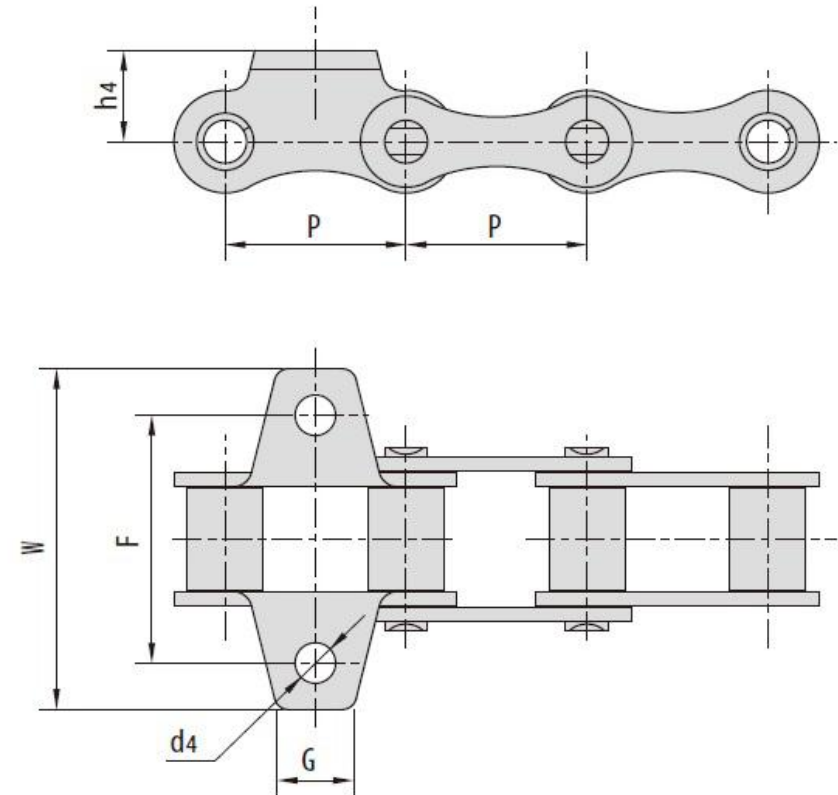


Chain No.	节距	滚子直径	内节内宽	销轴直径	销轴长度		内链板高度	链板厚度	抗拉强度	平均抗拉强度	每米长重
	Pitch	Roller diameter	Width between inner plates	Pin diameter	Pin length		Inner plate depth	Plate thickness	Tensile strength	Average tensile strength	Weight per meter
	P	d1 max	b1 min	d2 max	L max	Lc max	h2 max	T max	Q min	Qo	q
	mm	mm	mm	mm	mm	mm	mm	mm	kN/bf	kN	kg/m
ZG S38	38.0	16.00	22.0	9.00	39.0	43.0	21.5	3.0	45.0/10116	54.0	2.00
ZG S38HF7	38.0	16.00	22.0	9.00	47.0	51.0	21.5	5.0	80.0/18000	88.0	2.74
ZG S38F42	38.0	16.00	22.0	9.00	43.2	46.5	21.5	4.0	45.0/10116	54.0	2.43

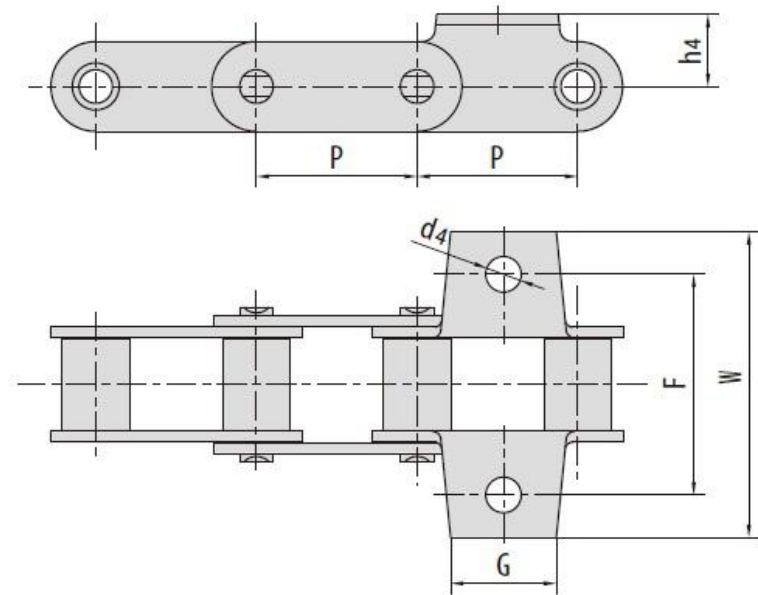


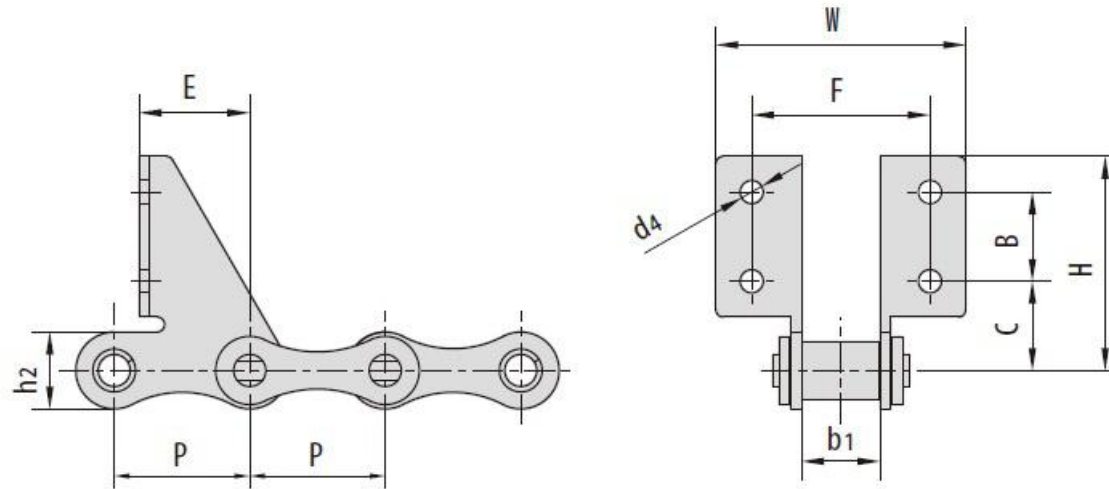
Chain No.	节距	滚子直径	内节内宽	销轴直径	销轴长度		内链板高度	链板厚度	抗拉强度	平均抗拉强度	每米长重
	Pitch	Roller diameter	Width between inner plates	Pin diameter	L	Lc	Inner plate depth	Plate thickness	Tensile strength	Average tensile strength	Weight per meter
	P	d1 max	b1 min	d2 max	L max	Lc max	h2 max	T max	Q min	Qo	q
	mm	mm	mm	mm	mm	mm	mm	mm	kN/bf	kN	kg/m
CZGS38F10	38.0	15.88	22.0	7.92	39.0	43.0	21.3	3.0	45.0/10116	54.0	2.39
CZGS38F11	38.0	15.88	22.0	7.92	37.1	41.0	21.2	2.5	30.0/6745	33.0	2.10
CZGS38HF12	38.0	15.88	22.0	7.92	39.9	42.7	21.2	3.2	45.0/10116	54.0	2.42
CZGS38F13	38.0	16.00	22.0	9.00	39.0	43.0	21.5	3.0	45.0/10116	54.0	2.42
CZGS38HF36	38.0	15.88	22.0	7.92	40.5	44.0	21.3	3.5	50.0/11241	55.0	2.63

Chain No.	P	G	F	W	h4	d4
	mm	mm	mm	mm	mm	mm
ZG S 38F2	38.0	16.0	52.0	71.5	19.6	11.0
ZG S 38F6K 1	38.0	16.0	52.0	74.6	19.6	8.5
ZG S 38F10K 1	38.0	20.0	52.0	72.0	17.0	8.4
ZG S 38F13K 1F 1	38.0	20.0	52.0	80.0	17.0	8.6
ZG S 38HF 12K 1F 1	38.0	25.0	52.0	72.0	17.0	8.4
ZG S 38F18	38.0	16.0	52.0	69.6	19.6	8.5
ZG S 38F42K 1	38.0	16.0	52.0	74.6	19.6	8.5
ZG S 38F43K 1	38.0	16.0	52.0	74.6	19.6	11.0
ZG S 38F46	38.0	16.0	52.0	74.6	20.0	8.5



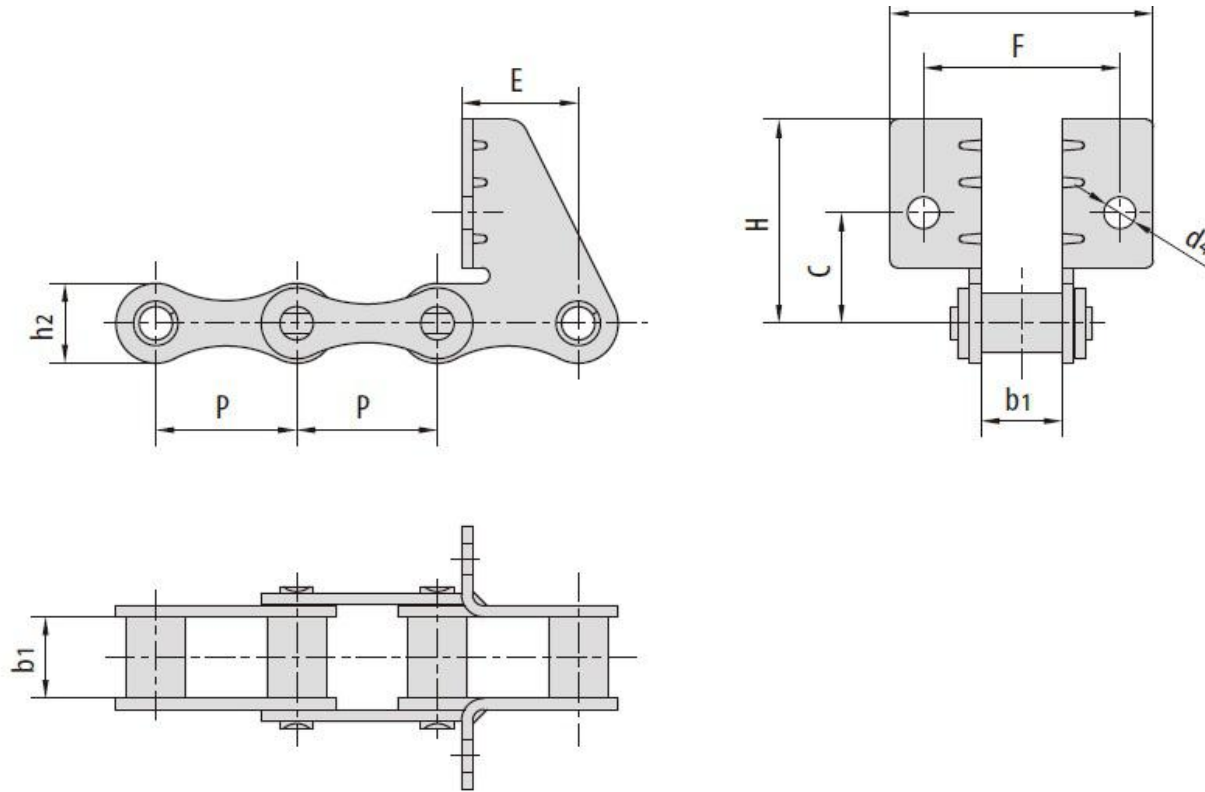
Chain No.	P	G	F	W	h <sub>4</sub>	d <sub>4</sub>
	mm	mm	mm	mm	mm	mm
CZG S 38F10K 1	38.0	20.0	52.0	72.0	17.0	8.4
CZG S 38F13K 1F1	38.0	26.5	52.0	80.0	17.0	8.6



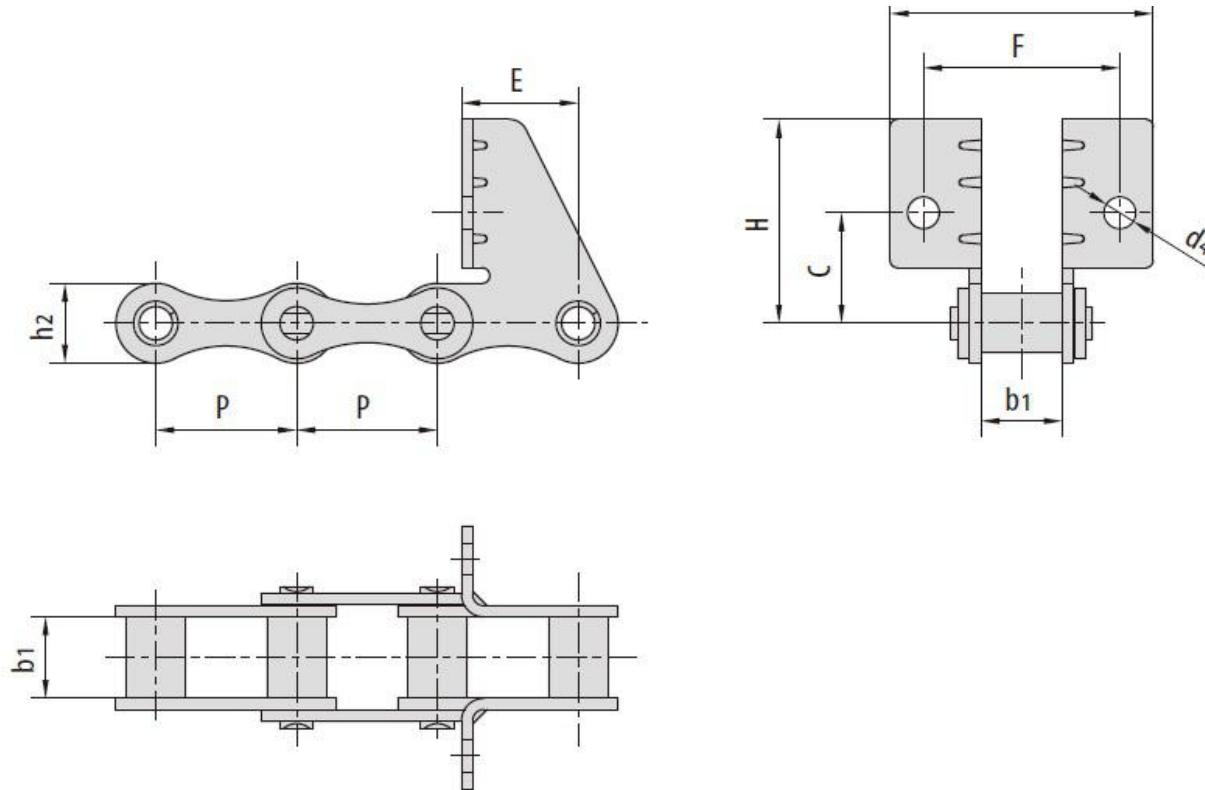


Chain No.	P	b <sub>1</sub>	C	B	F	W	d <sub>4</sub>	E	H	h <sub>2</sub>
	mm	mm	mm	mm	mm	mm	mm	mm	mm	mm
ZG S 38F5	38.0	22.0	32.0	25.0	52.0	72.0	7.0	31.0	67.0	21.5
ZG S 38F8	38.0	22.0	32.0	25.0	52.0	68.0	7.0	31.0	67.0	21.5
ZG S 38F14SD	38.0	22.0	25.0	25.0	50.0	70.0	6.5	31.0	60.0	21.5
ZG S 38F44	38.0	22.0	25.0	25.0	52.0	72.0	7.2	30.0	60.0	21.5

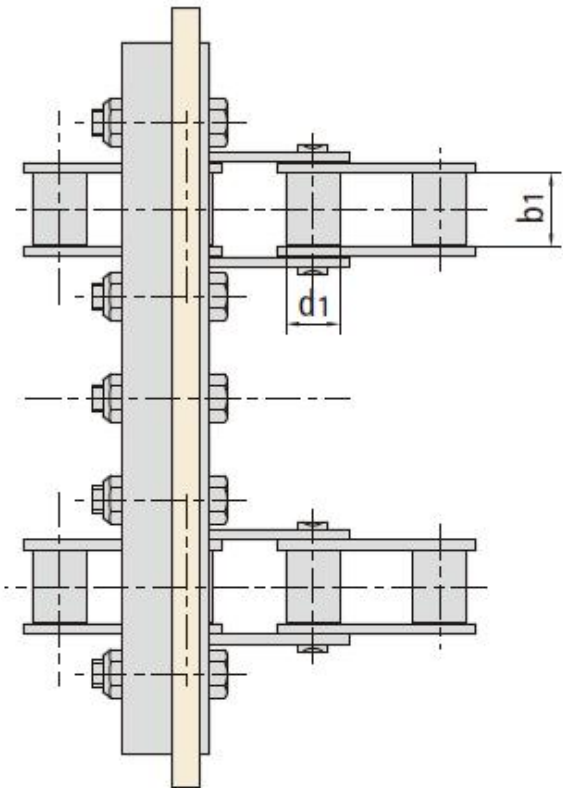
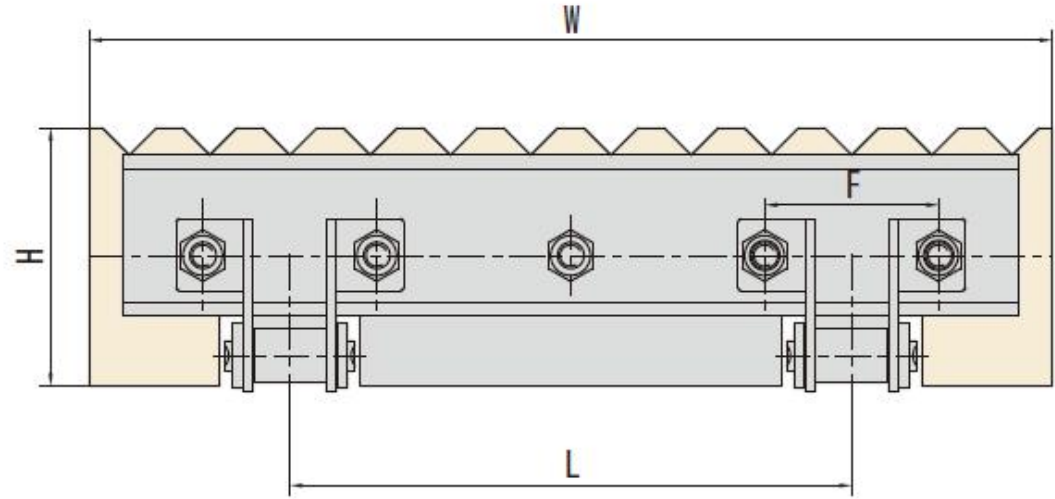
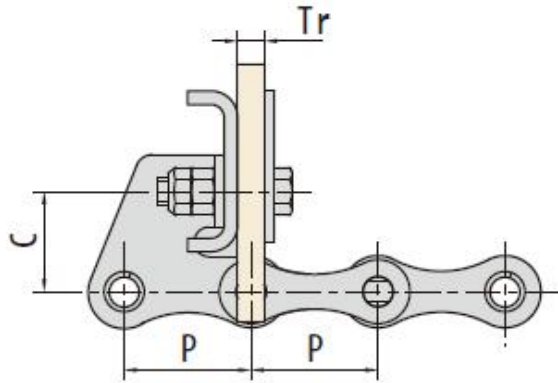




Chain No.	P	b <sub>1</sub>	C	F	W	d <sub>4</sub>	E	H	h <sub>2</sub>
	mm	mm	mm	mm	mm	mm	mm	mm	mm
ZG S 38SDF4	38.0	22.0	30.0	52.0	70.0	8.5	31.8	55.0	21.5
ZG S 38F35	38.0	22.0	29.8	53.0	71.0	8.7	31.3	55.0	21.5



Chain No.	P	b <sub>1</sub>	C	F	W	d <sub>4</sub>	E	H	h <sub>2</sub>
	mm	mm	mm	mm	mm	mm	mm	mm	mm
ZG S 38SDF4	38.0	22.0	30.0	52.0	70.0	8.5	31.8	55.0	21.5
ZG S 38F35	38.0	22.0	29.8	53.0	71.0	8.7	31.3	55.0	21.5



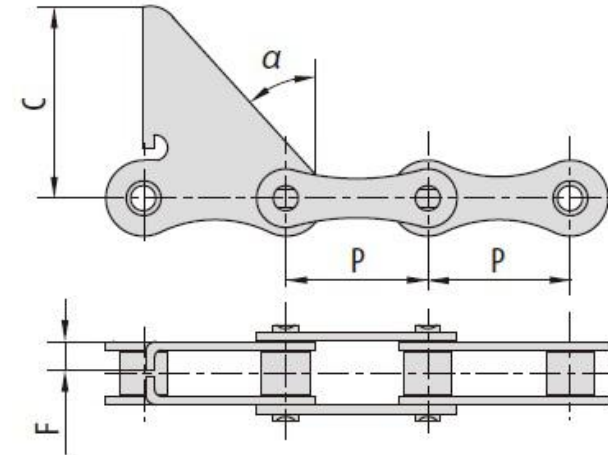




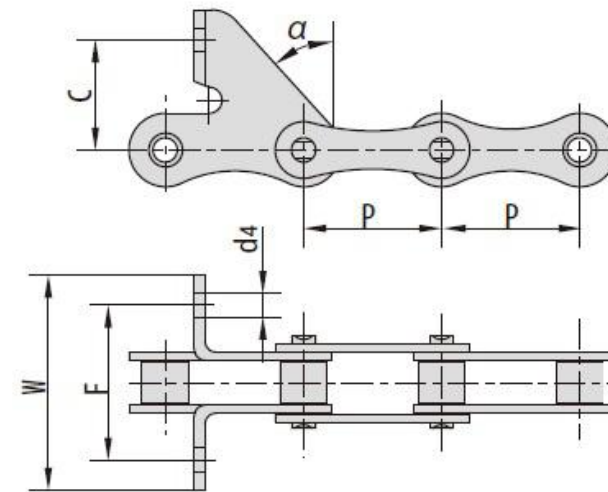
# HANGZHOU OCEAN INDUSTRY CO., LTD.

Chain No.	节距	滚子直径	内节内宽	橡胶附板尺寸				
	Pitch	Roller diameter	Width between inner plates	Rubber attachment dimension				
	P	d <sub>1 max</sub>	b <sub>1 max</sub>	W <sub>max</sub>	L	H <sub>max</sub>	F	Tr
	mm	mm	mm	mm	mm	mm	mm	mm
ZG S 38F 47	38.0	16.0	22.0	480.0	360.0	77.0	52.0	8.0

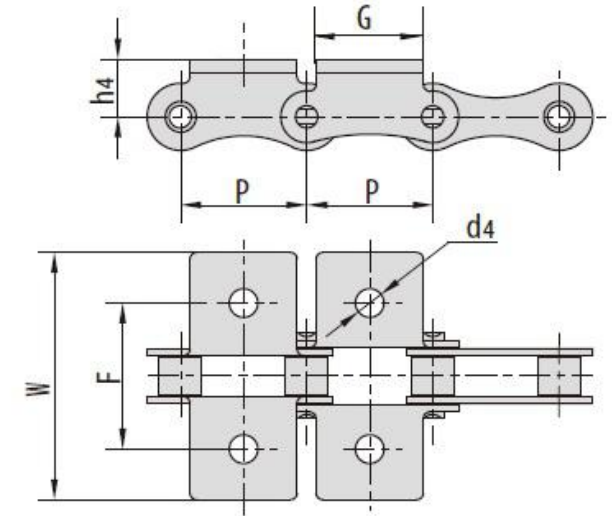
Chain No.	P	C	F	$\alpha$
	mm	mm	mm	
ZG S 38F 1	38.0	60.0	14.0	32.5°



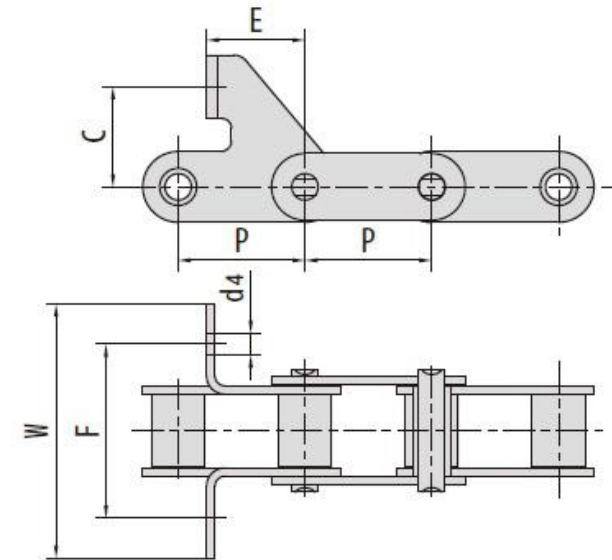
Chain No.	P	C	F	W	d4	$\alpha$
	mm	mm	mm	mm	mm	
ZG S 38F 3	38.0	30.0	52.0	68.4	6.50	43.5°
ZG S 38SDF 1	38.0	30.0	52.0	68.4	8.50	43.5°
ZG S 38SDF 5	38.0	30.0	52.0	68.0	8.60	40.5°
ZG S 38SDF 6	38.0	30.0	52.0	68.0	8.50	40.5°
ZG S 38F 32SD	38.0	30.0	52.0	68.4	6.50	43.5°



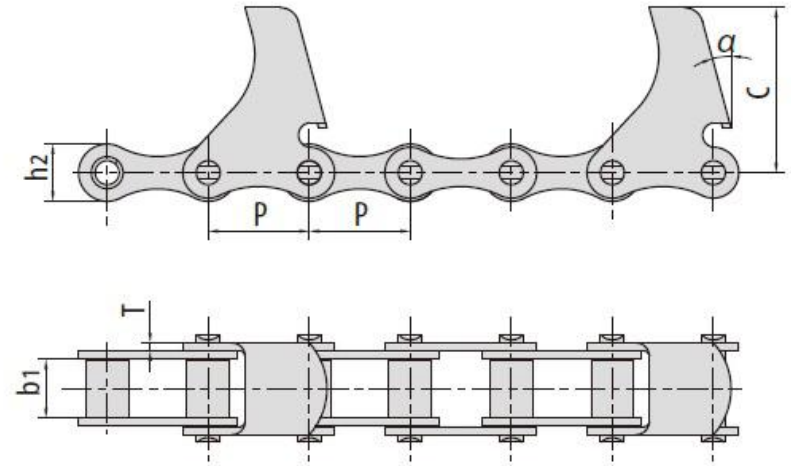
Chain No.	P	G	F	W	h4	d4
	mm	mm	mm	mm	mm	mm
ZG S 38K 1	38.0	32.0	53.0	83.2	20.0	8.5



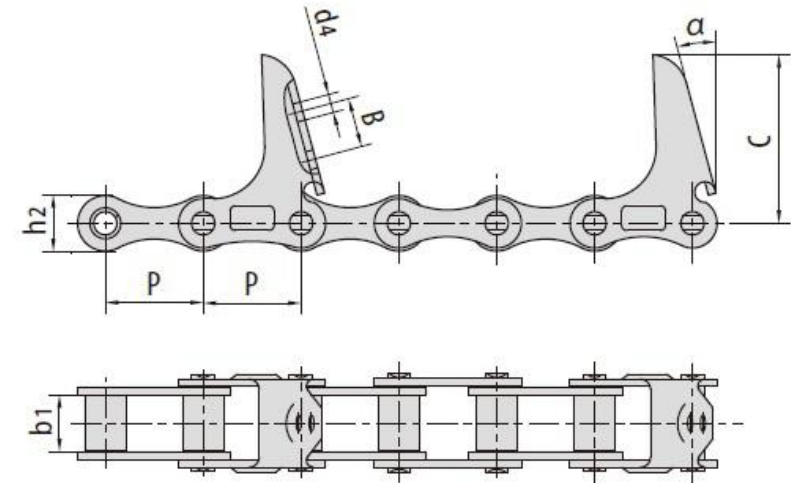
Chain No.	P	C	F	W	d4	E
	mm	mm	mm	mm	mm	mm
CZG S 38F 10SD	38.0	30.0	52.0	80.0	6.6	19.0
CZG S 38F 11SD F1	38.0	30.0	52.0	76.0	6.6	29.5



Chain No.	P	b <sub>1</sub>	h <sub>2</sub>	T	C	α
	mm	mm	mm	mm	mm	
ZG S38-C 6E	38.0	22.0	21.5	3.0	62.0	15°
ZG S38-C 6EF1	38.0	22.0	21.5	3.0	72.0	10°
ZG S38-C 6EF2	38.0	22.0	21.5	3.0	84.0	15°
ZG S38-C 6EF3	38.0	22.0	21.5	3.0	53.0	13°
ZG S38-C 6EF4	38.0	22.0	21.5	3.0	55.0	13°
ZG S38-C PEF6	38.0	22.0	21.5	3.0	75.0	15°



Chain No.	P	b <sub>1</sub>	h <sub>2</sub>	d <sub>4</sub>	C	B	α
	mm	mm	mm	mm	mm	mm	
ZG S38-CPEF3	38.0	22.0	65.4	7.3	65.4	19.5	15°



Chain No.	P mm	b <sub>1</sub> mm	C mm	α
ZGS38-CPEF1	38.0	22.0	60.0	22.5°

